



更多信息
请扫描二维码



肖特管件

江苏肖特管件制造有限公司

Jiangsu XiaoText Pipe Fittings Manufacturing Co., Ltd

地址: 江阴市周庄镇光明路5号

电话: 0510-86390112

传真: 0510-86391816

手机: 18616257721(刘先生)

销售邮件: liuansh@126.com

上海办事处

电话: 021-69953002

地址: 上海市金山朱泾亭枫公路2299号

www.xtpipe.com

所有产品信息如有更改恕不另行通知, 本公司保留对所售产品规格进行修改补充的权利
All specification information is subject to change without notification



肖特管件

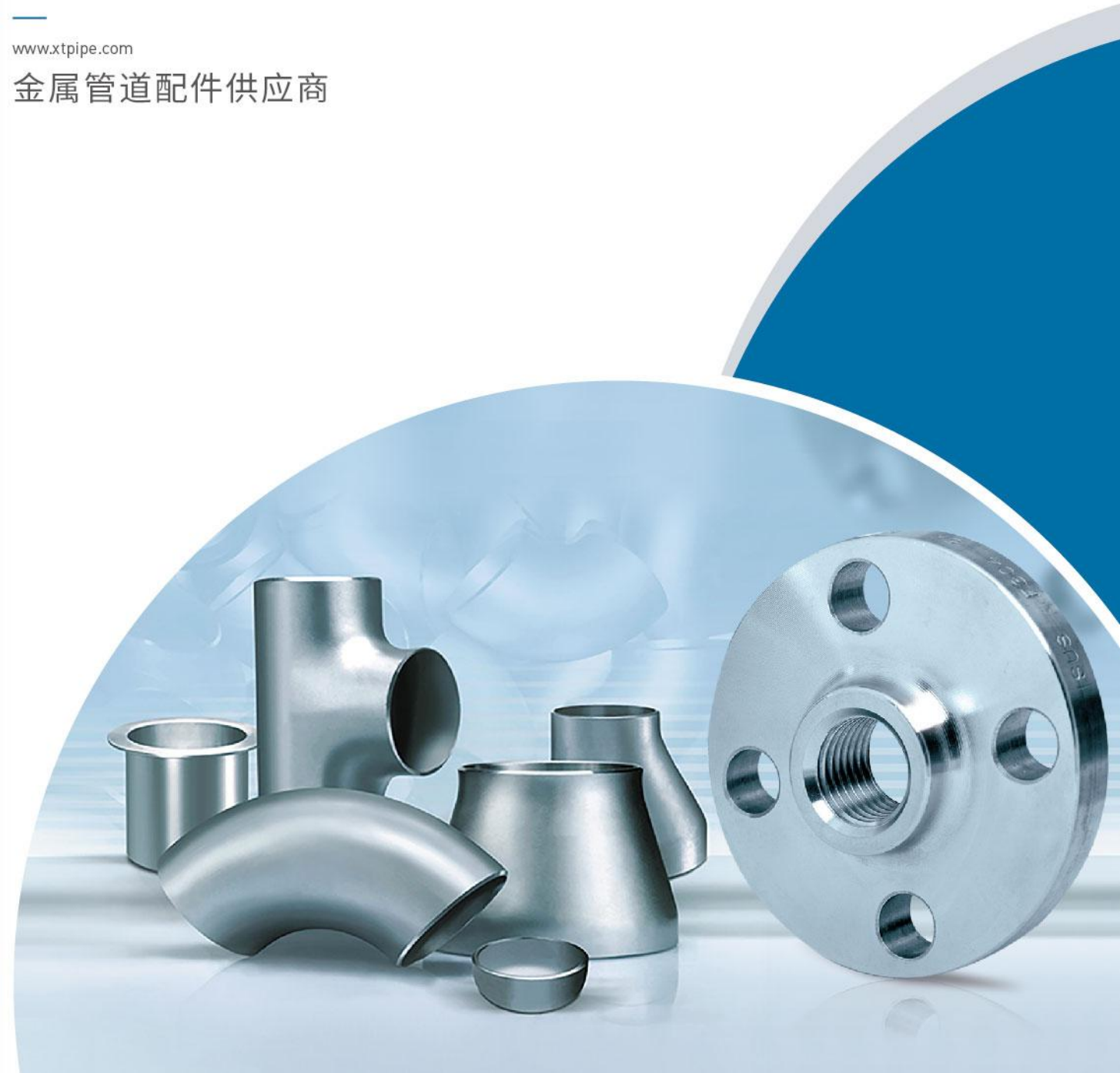
XIAOTE PIPE FITTINGS

肖特管件

Jiangsu Xiaotext Pipe Fittings Manufacturing Co., Ltd
江苏肖特管件制造有限公司

www.xtpipe.com

金属管道配件供应商





江苏肖特管件制造有限公司是专业从事压力管道的开发、生产及提供售后服务的综合性企业，是全国管道行业中的领导企业。标准化厂房，以满足各类生产、研发企业的需求。主要产品有各种不锈钢、低合金钢、铬镍钢、碳钢材质的推制弯头、压制弯头、煨弯、异径管、三通、四通、承插、螺纹管件、封头(管帽)和法兰、绝缘接头等压力管道管件，主要采用ANSI/ASME、MSS、DIN、JIS、GB、SH、HG、GD等生产标准。产品保证、服务周到，在海内外赢得了很高的信誉，深受国内外广大客户的信赖，已成为国内较大的法兰和管件供应商之一。

公司建立了完善的产品质量管理体系，确保产品质量完全符合标准规范，满足客户要求。在产品的设计，材料采购、检验试验及生产的全过程中，严格执行管理体系文件规定。

Jiangsu XiaoText Pipe Fittings Manufacturing Co., Ltd. is a comprehensive enterprise specializing in the development, production and after-sales service of pressure pipes, and is a leading enterprise in the national pipeline industry. Standardized workshops to meet the needs of various production and R&D enterprises. The main products are all kinds of stainless steel, low-alloy steel, chromium-nickel steel, carbon steel push elbow, pressed elbow, simmer bend, reducer, tee, cross, socket, threaded pipe fittings, head (Pipe caps) and flanges, insulating joints and other pressure pipeline fittings, mainly adopt ANSI/ASME, MSS, DIN, JIS, GB, SH, HG, GD and other production standards. The product guarantee and thoughtful service have won a high reputation at home and abroad, and are deeply trusted by customers at home and abroad. It has become one of the largest suppliers of flanges and pipe fittings in China.

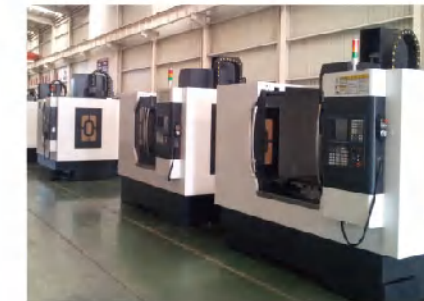
The company has established a complete product quality management system to ensure that the product quality fully meets the standards and specifications and meets customer requirements. In the whole process of product design, material procurement, inspection and testing and production, the regulations of the management system documents are strictly implemented.

本公司实力雄厚，公司拥有一批具有技术丰富的锻造实践和管道机械技术人才，配有完善的理化试验、机械性能、无损检测等一套先进的测检设备，另外，我公司开发生产的绝缘接头广泛应用于输油、输气及供水等钢制管线阴极保护系统。为石油、化工、电力、冶金、造纸、制药等行业中的国内外大中型企业提供不同材质的工业管道配件和专业的配套服务。

肖特管件愿与新老朋友携手合作，诚信相处，建立长期、稳定、双赢的合作关系，共享繁荣与丰收的喜悦，我们期待您的来电，谢谢！

The company has strong strength. The company has a group of technical talents in forging and pipeline machinery with rich skills, equipped with a complete set of advanced testing equipment such as physical and chemical testing, mechanical properties, non-destructive testing, etc. In addition, our company develops and produces Insulation joints are widely used in cathodic protection systems for steel pipelines such as oil, gas and water supply. Provide industrial pipe fittings of different materials and professional supporting services for domestic and foreign large and medium-sized enterprises in the petroleum, chemical, electric power, metallurgy, papermaking, pharmaceutical and other industries.

Xiaote Pipe Fittings is willing to cooperate with old and new friends, get along with integrity, establish long-term, stable and win-win cooperative relations, and share the joy of prosperity and harvest. We look forward to your call, thank you!



科学的检测设备 SCIENTIFIC CHECK-OUT FACILITIES



布氏硬度检测
Brinell hardness test



直读光谱仪
PMI Spectrometer



超声波探伤
Ultrasonic flaw detec



洛氏硬度检测
Luo's hardness test



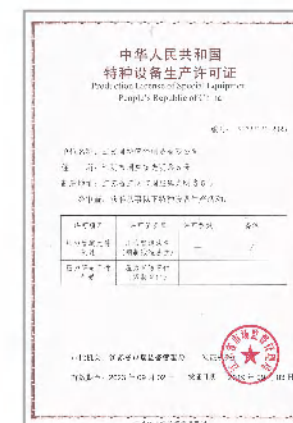
金相显微镜
Menteallo graphic microscope



尺寸检测
Size test

企业资质 COMPANY CERTIFICATES

江苏肖特管件制造有限公司
www.xtpipe.com

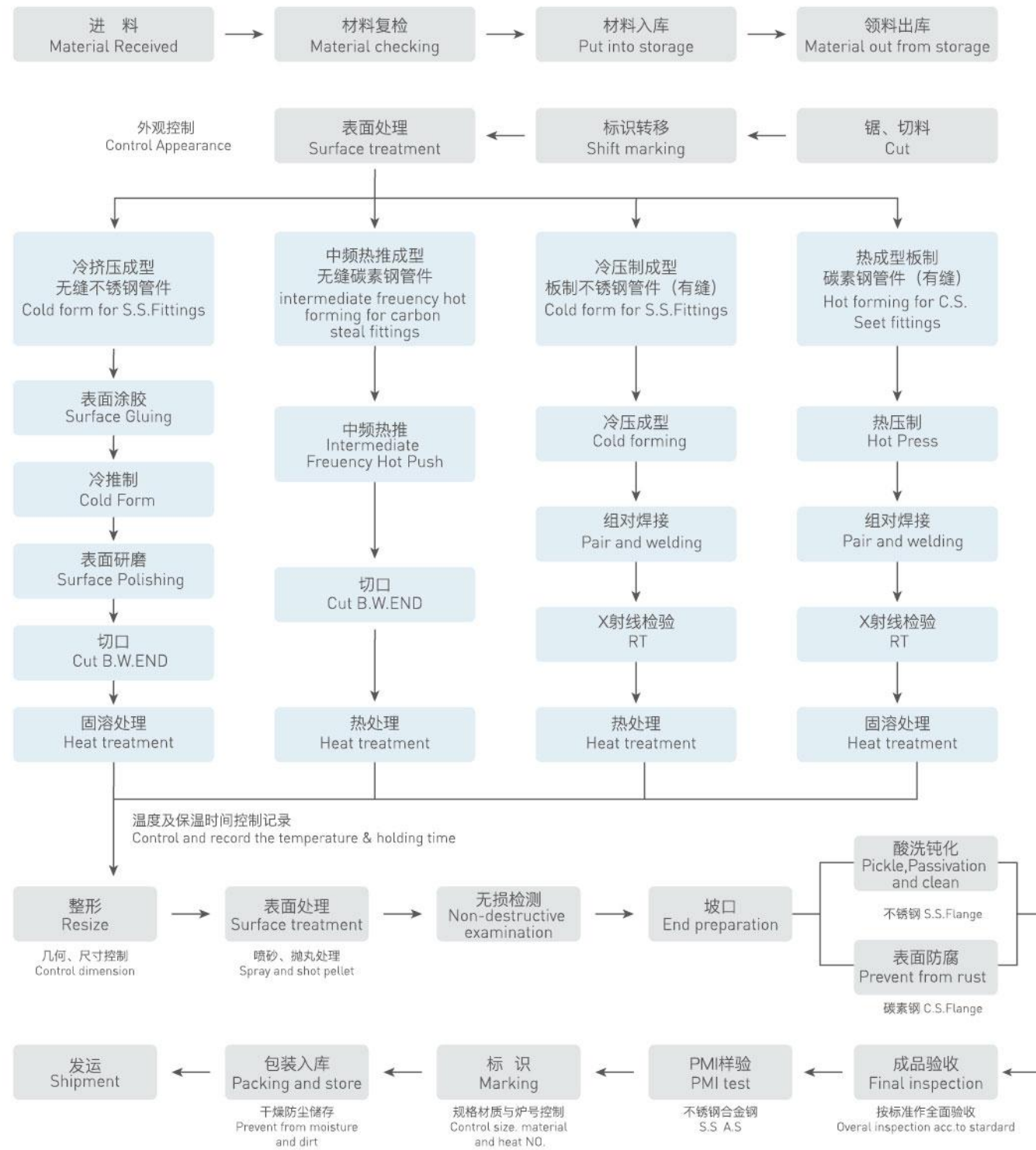


对焊有缝、无缝管件生产工艺流程及质量控制图

FLOW & QUALIT CONTROL DIAGRAM OF BUTT WELDING FITTINGS



肖特管件

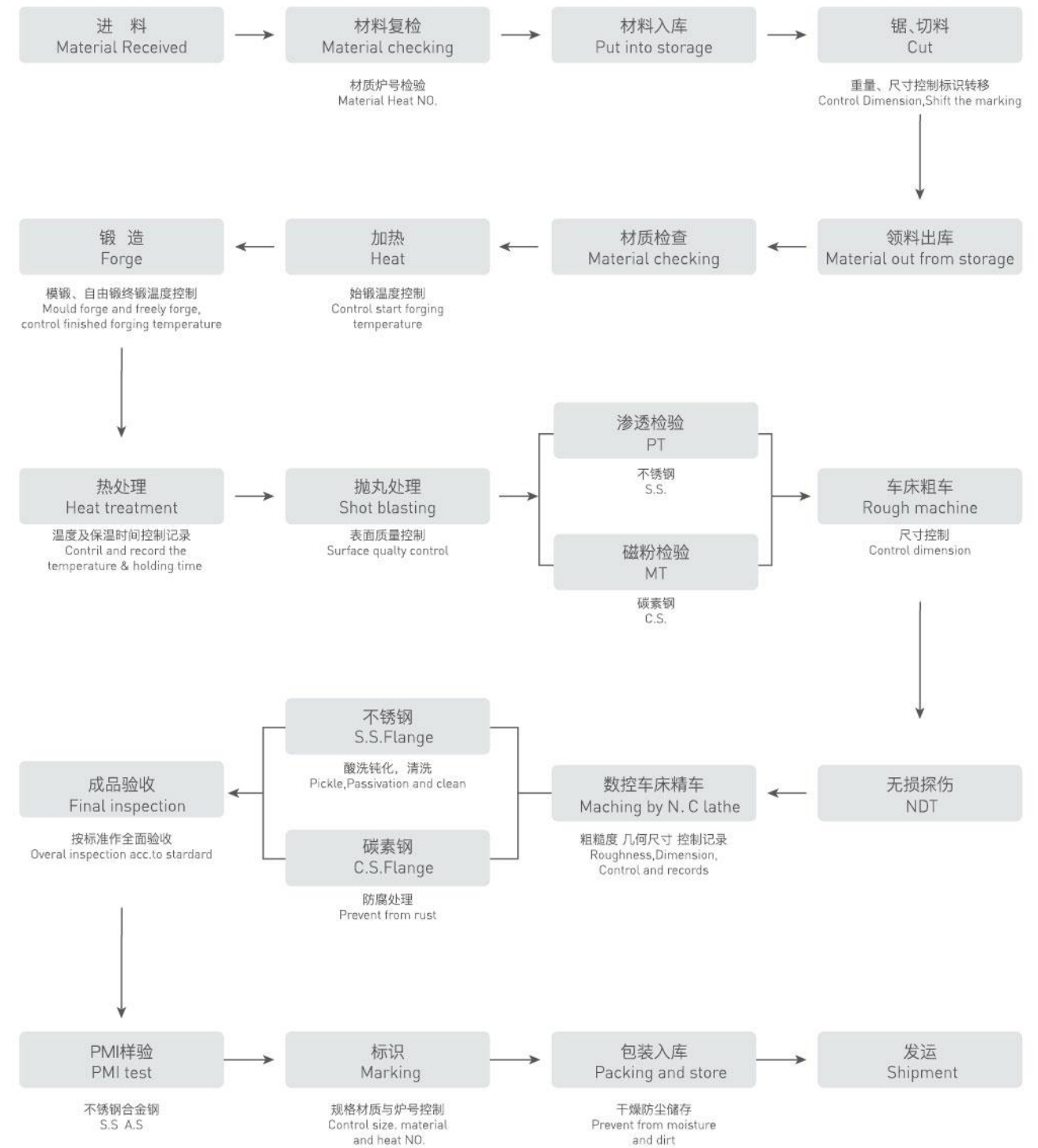


锻制管件、法兰生产工艺流程及质量控制图

FLOW & QUALIT CONTROL DIAGRAM OF FORGING FITTINGS ADN FLANGES



肖特管件



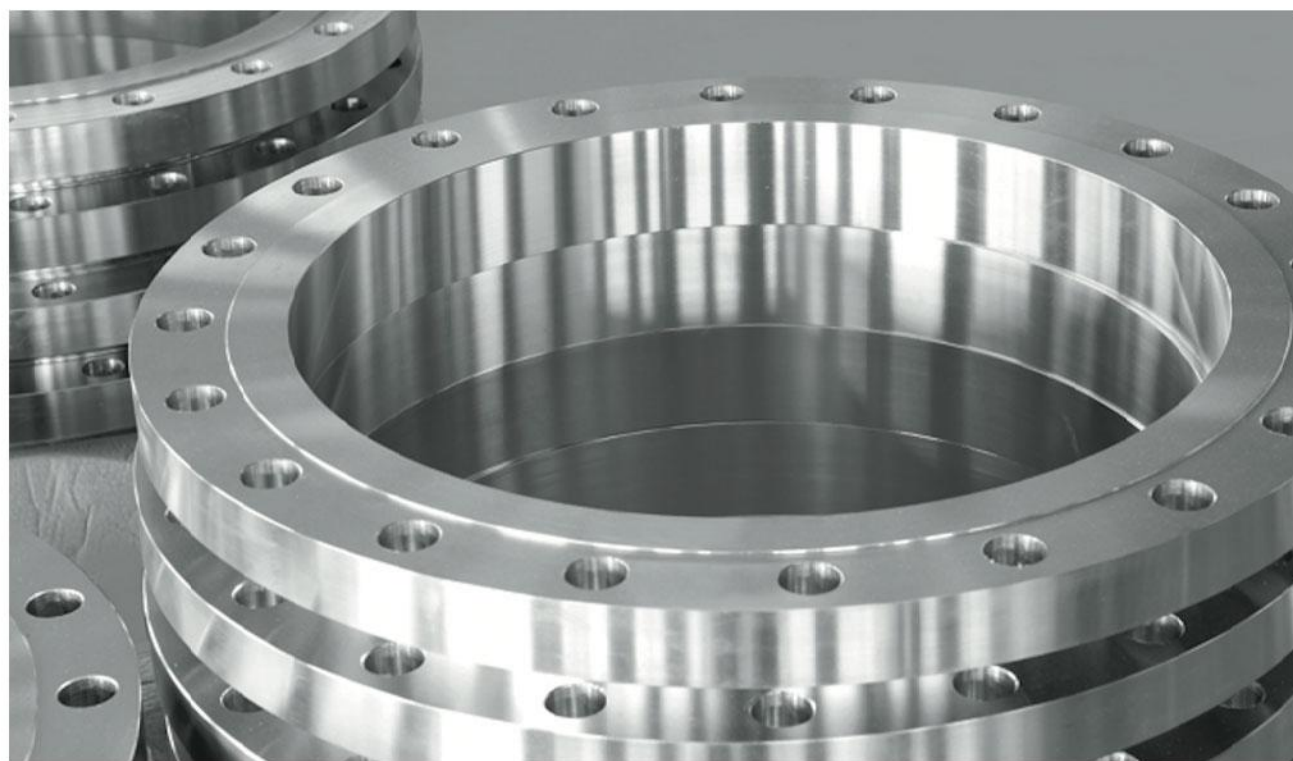


法兰 | FLANGE



本公司生产各种法兰，产品以德标、美标、日标、国标等系列标准为主，使用材料主要为：316Ti/1.4571、321/1.4541、316L/1.4404、F304/1.4301、F304L/1.4307，日标316L、日标304L。专业生产双相不锈钢法兰盘，材质：A182、F51、F53、F55、F60。产品品种、门类齐全，加工工艺精湛。

We are specialized in manufacturing a variety of flanges in accordance with German, American, Japanese and Chinese standards. Our products are made of 316Ti/1.4571, 321/1.4541, 316L/1.4404, F304/1.4301, F304L/1.4307, SUS 316L, and SUS 304L. We are also specialized in manufacturing duplex stainless steel flanges with A182, F51, F53, F55 and F60. We provide excellent machining and manufacturing processes and our products cover a variety of models and types.





螺纹法兰 Thread Flange



法兰盖 Blind Flange



松套法兰 Lap Joint Flange



承插焊法兰 Socket Welding Flange



平焊法兰 Slip On Flange



对焊法兰 Weld Neck Flange



八字盲板 Blind Board



高颈法兰 High Neck Flange



对焊法兰 Butt Welding Flange



盲板法兰 Blind Flange



管板法兰 Tube Sheet Flange



滑套法兰 Slip-on Flange



生产标准 | STANDARD

美国标准 American Standard	ASME B16.5-2009	PIPE FLANGES AND FLANGED FITTINGS
	ASME B16.47-2006	AMERICAN LARGE DIAMETER STEEL FLANGES
	ASME B16.48-2010	STEEL PIPE BLANK BLIND FLANGES (SPECTACLE BLIND FLANGES)
	ASME B16.36-2009	ORIFICE FLANGES
	AWWA C207-2007	STEEL PIPE FLANGES FOR WATERWORKS SERVICE
	SAE FLANGE	AMERICAN AUTOMOBILE ASSOCIATION STANDARDS
欧洲标准 EUROPE STANDARD	DIN EN 1092-1 2008 PART 1:	STEEL FLANGES
	BS 4504 3.1-1989SECTION1:	STELL FLANGE TECHNICAL
	BS 3293-1960	SPECIFICATION FOR CARBON STEEL PIPE FLANGES FOR THE PETROLEUM INDUSTRY
	DIN2527-DIN2673	GERMANY STANDARD FLANGES
	DIN86029 DIN86030	GERMANY STANDARD FOR SLIP ON FLANGES
	UN12253-2286/67	ITALY STANDARD FLANGES
	NS FLANGES	NORWAY STANDARD FLANGES
国内标准 DOMESTIC STANDARD	HG20592-20635:2009	STEEL PIPE FLANGES
	GB/T9112-9123.4:2000	STEEL PIPE FLANGES
	NB/T47021-47023	FLANGES STANDARD
	SH3406-2013	STELL PIPE FOR PETROCHEMICAL INDUSTRY
	HG/T21547-2016	STEEL PIPE FOR FIGURE 8
	SABS 1123-1977	SOUTH AFRICA FLANGES STANDARD
其他标准 OTHER COUNTRY STANDARD	AS2129-2000	FLANGES FOR PIPESVALVES AND FITINGS
	AS4087-2004	METALLIC FLANGES FOR WATERWORKS PURPOSES
	JIS B2220-2004	JAPAN STEEL PIPE FLANGE STANDARD
	KS D3578-199	KOREA FLANGES STANDARD



不锈钢管件 | STAINLESS STEEL PIPE FITTINGS



异径三通 Reducing Tee



等径三通 Equal Tee



90°弯头 90 Degree Elbow



45°弯头 45 Degree Elbow



同心异径管 Concentric Reducer



马鞍接头 Saddle



四通 Cross



偏心异径管 Eccentric Reducer



180°弯头 180 Degree Elbow



偏心异径管 Eccentric Reducer



管帽 Cap



翻边 Stub-end



锻制管件 FORGED FITTINGS

XIAOTE
PIPE FITTINGS
www.xtpipe.com



45°螺纹弯头
45 Degree Thread Elbow



90°螺纹弯头
90 Degree Thread Elbow



活接头 Union



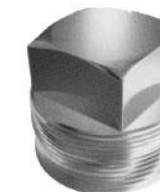
圆头管塞 Round Head Plug



螺纹管箍 Thread Coupling



无头内外螺纹接头 Flush bushing



方头管塞 Square Head Plug



承插管帽 Socket Welding Cap

斜三通管件 | LATERAL TEE



30°斜三通 30° Lateral Tee



45°斜三通 45° Lateral Tee



Y型斜三通 Lateral Tee

锻造法兰	12-16
法兰结构图 Flange Structure	12
美标、德标系列 American, German Standard Series	13
法兰材料 Flange Material	15
插板、插环、八字盲板 Blind, Figure 8Blind	16

对焊管件	17-33
45°、90°、180°弯头 Elbow	17
三能(等径、异径) Tee(Straight And Reducing)	18
异径管(同心、偏心) Reducer(Concentric And Eccentric)	20
翻边短节 Lap Joint Stub End	22
管帽 Cap	23
弯管 Bend	24
螺纹弯头、三通、四通 Threaded Elbow Tee Cross	25
活接头(螺纹、承插) Union(Threaded And Socket)	26
承插管件(Socket Welding Fittings)	27
承插焊弯头、三通、四通 Socket Welding Elbow ,Tee,Cross	28
支管台(管座) Outlet(MSS SP97/ GB19326 / Q/FG11-16)	29
对焊支管台 Weldolet	30
承插焊支管台 Sockolet	31
螺纹支管台 Rhreadolet	31
短管支管台 Nipolet	32
斜接支管台 Latiolet	32
弯头支管台 Elbolet	33

管件公差	34-35
对焊管件尺寸公差 Tolerance Ofbutt Welding Fittings	34
对焊管件形位公差 Angularity Tolerance Of Butt Welding Fittings	34
承插焊管件尺寸的极限公差 Tolerances For Socket Welding Fittings	35
螺纹管件尺寸的极限公差 Tolerances For Threaded Fittings	35
支管台尺寸的极限公差 Tolerances For O' lets	35

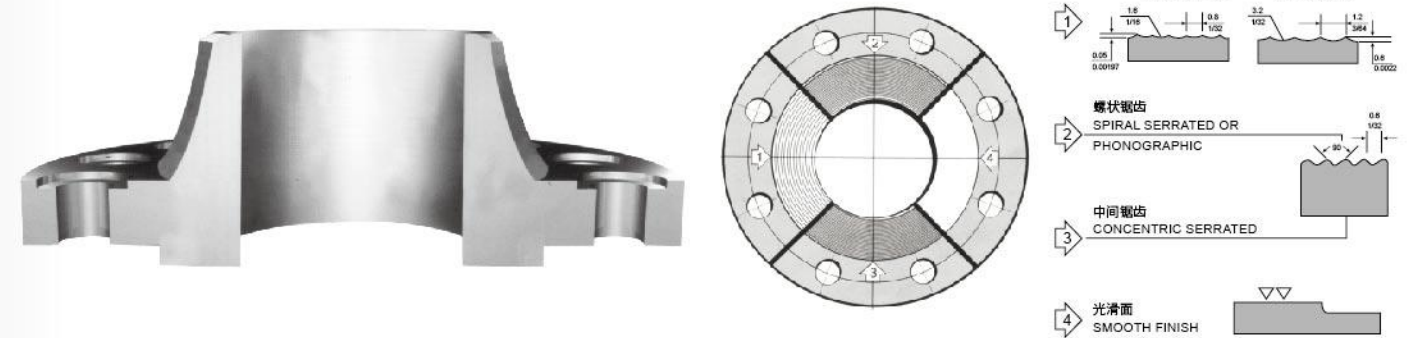
钢管外径与壁厚表	36-41
外径和壁厚表(GB/T 12459、GB/T 13401) Outside Diameter And Wall Thickness	36
外径和壁厚表(SH3408、SH3409) Outside Diameter And Wall Thickness	37
外径和壁厚表(ASME B36.10M、B36.19M) Outside Diameter And Wall Thickness	38
外径和壁厚表(JIS B2311、B2312、B2313) Outside Diameter And Wall Thickness	39
外径和壁厚表(SY/T 0510 A类) Outside Diameter And Wall Thickness	40
外径和壁厚表(SY/T 0510 B类) Outside Diameter And Wall Thickness	41

各国常用材料对照表	42
各国对焊管件、板、管材料标准对照表 The Standard Contrast Table For Butt-welding Fitting, Steel Plant And Pipe Material	42

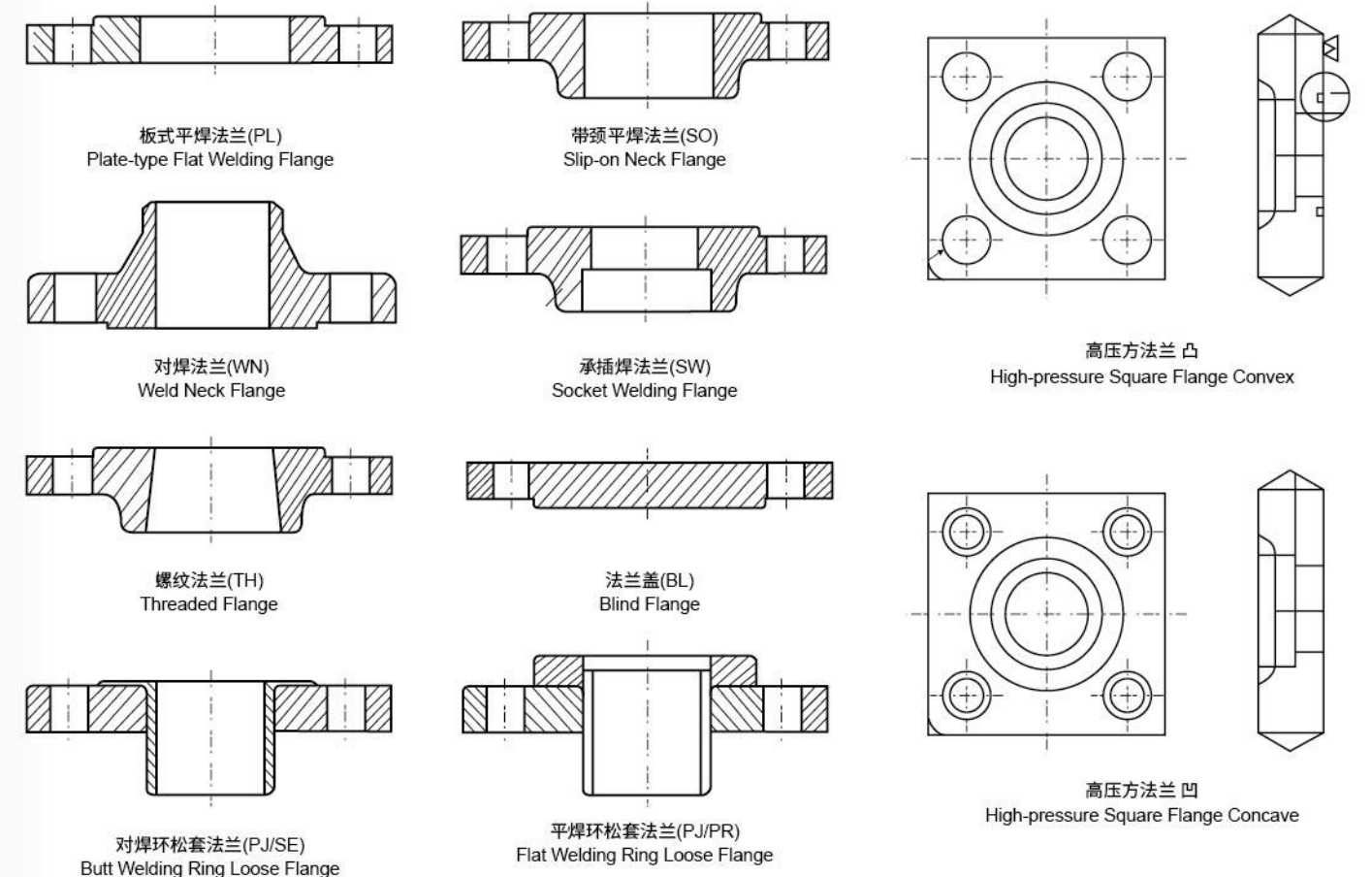
服务领域	43
未来展望	44

法兰剖面图 FLANGE CUT PLANE

密封面参数 PARAMETER OF SEALED COVER



法兰结构图 FLANGE STRUCTURE



注：由于法兰的制造标准及规格较多，本公司在此不提供详细规格参数，用户如需要可另提供，非标法兰可按用户图纸加工制造。

锻造法兰 FORGED FLANGE



肖特管件

美标系列 AMERICAN STANDARD SERIES

标准号 Standard Code	通径范围 Diameter Range	压力等级 Pressure Grade
ANSI B16.5(88)	1/2"~24"	Class 150、300、600、900、1500、2500
ANSI B16.47(90)	26"~60"	Class 150、300、600、900
ASME B16.5(96)	1/2"~24"	Class 150、300、600、900、1500、2500
ISO7005-1(92)	1/2"~24"	PN2.0 5.0 11.0 15.0 26.0 42.0
BS4504-3.1(89)	1/2"~24"	Class 150、300、600、900、1500、2500
JPI 7S-15-93	1/2"~24"	Class 150、300、600、900、1500、2500
NF E29-203	1/2"~24"	PN2.0 5.0 11.0 15.0 26.0 42.0
API605-81	26"~60"	Class 150、300、600
ASME B16.36(96)	1"~24"	Class 300、400、600、900、1500、2500

德标系列 GERMAN STANDARD SERIES

标准号 Standard Code	通径范围 Diameter Range	压力等级 Pressure Grade
DIN 2630 WN	DN1200~DN4000	1 Bar
DIN 2631 WN	DN10~DN3600	6 Bar
DIN 2632WN	DN200~DN3000	10 Bar
DIN 2633WN	DN10~DN2000	16 Bar
DIN 2634WN	DN200~DN1000	25 Bar
DIN 2635WN	DN10~DN500	40 Bar
DIN 2636WN	DN10~DN400	64 Bar
DIN 2637WN	DN10~DN350	100 Bar
DIN 2638WN	DN10~DN300	160 Bar
DIN 2573PL	DN10~DN500	6 Bar
DIN 2576PL	DN10~DN500	10 Bar
DIN 2527BL	DN10~DN500	6 10 16 25 40 Bar
DIN 2501WN	DN15~DN500	10 16 25 40 63 100 160 250 320 400 Bar
DIN 2566TH	DN15~DN150	10 16 Bar
DIN 2655PL	DN15~DN500	0.25 0.6 1.0 1.6 2.5 4.0 Bar
DIN 2656PL	DN15~DN500	0.25 0.6 1.0 1.6 2.5 4.0 Bar

锻造法兰 FORGED FLANGE



肖特管件

日标系列 JAPANESE STANDARD SERIES

标准号 Standard Code	通径范围 Diameter Range	压力等级 Pressure Grade
JIS B 2220 PL	DN10~DN400	5K
JIS B 2220 SO	DN450~DN1000	5K
JIS B 2220 PL	DN10~DN225	10K
JIS B 2220 SO	DN250~DN1000	10K
JIS B 2220 SO	DN10~DN1200	16K 20K 30K
JIS B 2220 WN	DN15~DN400	30K

国标系列 NATIONAL STANDARD SERIES

标准号 Standard Code	通径范围 Diameter Range	压力等级 Pressure Grade
GB/T 9112-9113.4-2000	DN10~DN2000	PN 0.25 0.6 1.0 2.5 4.0 6.3 10.0 16.0 Mpa
JB/T 74-86.2-94	DN10~DN1600	PN 0.25 0.6 1.0 2.5 4.0 6.3 10.0 16.0 20.0 Mpa
HG/T20592-20615-2009	DN10~DN2000	PN 0.25 0.6 1.0 2.0 2.5 4.0 5.0 6.3 10.0 11.0 15.0 16.0 25.0 26.0 42.0 Mpa
SH/T3406-2013	DN10~DN1500	PN 1.0 2.0 5.0 6.8 10.0 15.0 25.0 42.0 Mpa
GB/T 17241.1-17241.7	DN10~DN4000	PN 0.25 0.6 1.0 1.6 2.0 2.5 4.0 5.0 Mpa
GB/T 15530.1-15530.8	DN10~DN1800	PN 0.6 1.0 1.6 2.0 2.5 4.0 5.0 Mpa

电力部系列 POWER MINISTRY STANDARD SERIES

标准号 Standard Code	通径范围 Diameter Range	压力等级 Pressure Grade
D-GD86-0510-0537	DN15~DN2000	PN 0.25 0.6 1.0 1.6 2.5 4.0 6.4 10.0 Mpa
DG0511-0541	DN15~DN1000	PN 0.25 0.6 1.0 1.6 2.5 4.0 6.4 10.0 20.0 32.0 Mpa

压力容器系列 PRESSURE VESSEL STANDARD SERIES

标准号 Standard Code	通径范围 Diameter Range	压力等级 Pressure Grade
NB/T47021-2012	DN300~DN2000	PN 0.25 0.6 1.0 1.6 10.0 Mpa
NB/T47022-2012	DN300~DN3000	PN 0.25 0.6 1.0 1.6 2.5 4.0 Mpa
NB/T47023-2012	DN300~DN2000	PN 0.6 1.0 1.6 2.5 4.0 6.4 Mpa

船用系列 SHIPPING STANDARD SERIES

标准号 Standard Code	通径范围 Diameter Range	压力等级 Pressure Grade
GB573-581-76	DN20~DN500	PN 0.6 1.0 1.6 2.5 4.0 6.4 Mpa
GB2506-2507-89	DN10~DN2000	PN 0.25 0.6 1.0 1.6 2.5 Mpa
GB4450-84	DN20~DN500	PN 0.6 1.0 1.6 Mpa
GB10746-10749-89	DN10~DN600	PN 0.6 1.0 1.6 2.5 4.0 6.4 Mpa

锻造法兰 FORGED FLANGE



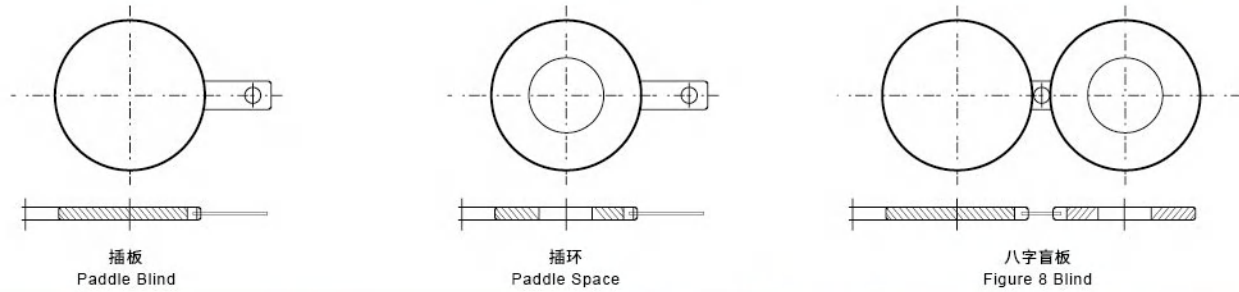
肖特管件

锻造法兰 FORGED FLANGE



肖特管件

钢号 Steel No.	标准 Standard	化学成分(%)Chemical Composition										公称厚度 mm	热处理状态	机械性能 Mechanical Properties				
		C	Si	Mn	Mo	Cr	V	Ti	P	S	Ni			Cu	抗拉强度 Σ b/MPa	屈服点 Σ s/MPa	延伸率 δ 5 (%)	硬度 HB
20	NB/T47008-2017	0.17-0.23	0.17-0.37	0.60-1.00	-	≤0.2	-	-	-	≤0.030	0.020	0.25	0.25	0.25	390-540	215	24	106-159
35	NB/T47008-2017	0.32-0.38	0.17-0.37	0.50-0.80	-	≤0.2	-	-	-	0.030	0.020	0.25	0.25	0.25	510-670	265	18	136-200
16Mn	NB/T47008-2017	0.13-0.19	0.20-0.60	1.20-1.60	-	≤0.3	-	-	-	0.030	0.020	0.25	0.25	0.25	450-600	275	20	121-178
1Cr5Mo	NB/T47008-2017	≤0.1	≤0.5	≤0.6	0.45-0.65	4.00-6.00	-	-	-	0.030	0.020	0.25	0.50	0.25	590-760	290	18	174-229
15CrMo	NB/T47008-2017	0.12-0.18	0.10-0.60	0.30-0.80	0.45-0.65	0.80-1.25	-	-	-	0.030	0.020	0.25	0.30	0.25	440-610	275	20	118-180
35CrMo	NB/T47008-2017	0.32-0.38	0.17-0.37	0.40-0.70	0.15-0.25	0.80-1.10	-	-	-	0.030	0.020	0.25	0.30	0.25	620-790	440	15	185-235
12Cr1MoV	NB/T47008-2017	0.09-0.15	0.17-0.37	0.40-0.70	0.25-0.35	0.90-1.20	0.15-0.30	-	-	0.030	0.020	0.25	0.30	0.25	440-610	255	19	118-180
0Cr18Ni9 (304)	NB/T47010-2017	≤0.0	≤1.0	≤2.0	-	17.00-19.00	-	-	-	≤0.035	0.030	8.00-11.00	-	-	520	205	35	139-187
00Cr19Ni10 (304L)	NB/T47010-2017	≤0.0	≤1.0	≤2.0	-	18.00-20.00	-	-	-	≤0.035	0.030	8.00-12.00	-	-	480	175	35	128-187
0Cr17Ni12Mo2 (316)	NB/T47010-2017	≤0.0	≤1.0	≤2.0	2.00-3.00	16.00-18.00	-	-	-	≤0.035	0.030	10.00-14.00	-	-	520	205	35	139-187
00Cr17Ni14Mo2 (316L)	NB/T47010-2017	≤0.0	≤1.0	≤2.0	2.00-3.00	16.00-18.00	-	-	-	≤0.035	0.030	12.00-15.00	-	-	480	175	35	128-187
1Cr18Ni9Ti 321	NB/T47010-2017	≤0.1	≤1.0	≤2.0	-	17.00-19.00	-	-	-	5(C%-0.02) -0.80	≥5%	8.00-11.00	-	-	520	205	35	139-187
0Cr18Ni10Ti	NB/T47010-2017	≤0.0	≤1.0	≤2.0	-	17.00-19.00	-	-	-	≥5%	≥5%	9.00-12.00	-	-	520	205	35	139-187
0Cr18Ni12Mo2Ti 316Ti	NB/T47010-2017	≤0.0	≤1.0	≤2.0	1.80-2.50	16.00-19.00	-	-	-	≥5% -0.70	≥5%	11.00-14.00	-	-	520	205	35	139-187



插板、插环、八字盲板 Blind, Figure 8 Blind

插板、插环、八字盲板的厚度(美国体系管法兰用) Blind, Figure 8 Blind (For Pipe Flange of American System) mm

公称通径 Nominal Diameter		150LB	300LB	600LB	900LB	1500LB	2500LB
DN	NPS	2.0MPa	5.0MPa	10.0MPa	15.0MPa	25.0MPa	42.0MPa
15	1/2	3	6	6	6	6	10
20	3/4	3	6	6	6	10	10
25	1	3	6	6	6	10	10
32	1.1/4	6	6	10	10	10	13
40	1.1/2	6	6	10	10	13	16
50	2	6	10	10	13	13	16
65	2.1/2	6	10	13	13	16	19
80	3	6	10	13	16	19	22
90	3.1/2	10	13	16	-	-	-
100	4	10	13	16	19	22	28
125	5	10	16	19	22	28	35
150	6	13	16	22	25	35	41
200	8	13	22	28	35	41	54
250	10	16	25	35	41	51	67
300	12	19	28	41	48	60	79
350	14	19	32	44	54	67	-
400	16	22	38	51	60	76	-
450	18	25	41	54	67	86	-
500	20	28	44	64	73	95	-
600	24	32	51	73	89	111	-

说明:

- 1、本系列产品符合API590要求,用于符合下列要求的突面法兰: ANSI B16.5、SH3406、ISO7005-1、GB9112-9124、HG20615(美洲体系)。
- 2、盲板、插环及八字盲板厚度均已包括腐蚀裕量:
碳钢、低合金钢、低温钢裕量为1.3mm;
不锈钢裕量为0mm
- 3、本系列产品适用于平垫片,如用于其它型式垫片(如八角垫等)应与制造厂协商,并调整厚度。
- 4、也可按HG21547-93要求生产。

公称通径 Nominal Diameter		0.6MPa	1.0MPa	1.6MPa	2.5MPa	4.0MPa
DN						
15		8	8	8	8	8
20		8	8	8	8	8
25		8	8	8	8	9/8
32		8	8	8	8	10/8
40		8	8	8	9/8	10/8
50		8	8	9/8	10/8	12/10
65		8	8	10/8	11/9	13/11
80		8	8	10/8	12/10	14/12
100		10/8	8	12/10	14/12	16/14
125		11/9	9/8	13/11	16/14	19/17
150		12/10	10/8	15/13	17/15	21/19
200		14/12	12/10	17/15	21/19	27/25
250		17/15	13/11	20/18	25/23	32/30
300		19/17	15/13	23/21	29/27	37/35
350		21/19	17/15	26/24	33/31	42/40
400		23/21	18/16	29/27	36/34	48/46
450		25/23	20/18	32/30	39/37	50/48
500		28/26	22/20	35/33	43/41	54/52
600		32/30	25/23	41/39	51/49	65/62

说明:

- 1、本系列产品符合HG21547-93要求,用于符合下列要求的突面法兰: GB9113-9122、HG20592(欧洲体系)、ISO7005-1、DIN、JB管法兰。
- 2、盲板、插环及八字盲板厚度均已包括腐蚀裕量:
碳钢、低合金钢、低温钢裕量为2.0mm;
不锈钢裕量为0mm。
上述表中有分子/分母P者,分子为碳钢,低合金钢厚度,分母为不锈钢厚度。
- 3、本系列产品适用于平垫片,如用于其它型式垫片(如八角垫等)应与制造厂协商,并调整厚度。

钢制对焊管件 BUTT WELDING FITTINGS



肖特管件

公称通径 Nominal Diameter		坡口处外径 Outside Diameter D1*D2		端面 至端面 End to End H
DN	NPS	A 系列 Series A	B 系列 Series B	
350x250	14x10	355.6x273.0	377x273	330
350x200	14x8	355.6x219.1	377x219	330
350x150	14x6	355.6x168.3	377x159	330
400x350	16x14	406.4x355.6	426x377	356
400x300	16x12	406.4x323.9	426x325	356
400x250	16x10	406.4x273.0	426x273	356
400x200	16x8	406.4x219.1	426x219	356
450x400	18x16	457x406.4	478x426	381
450x350	18x14	457x355.6	478x377	381
450x300	18x12	457x323.9	478x325	381
450x250	18x10	457x273.0	478x273	381
500x450	20x18	508x457	529x478	508
500x400	20x16	508x406.4	529x426	508
500x350	20x14	508x355.6	529x377	508
500x300	20x12	508x323.9	529x325	508
550x500	22x20	559x508	—	508
550x450	22x18	559x457	—	508
550x400	22x16	559x406.4	—	508
550x350	22x14	559x355.6	—	508
600x550	24x22	610x559	—	508
600x500	24x20	610x508	630x529	508
600x450	24x18	610x457	630x478	508
600x400	24x16	610x406.4	630x426	508
650x600	26x24	660x610	—	610
650x550	26x22	660x559	—	610
650x500	26x20	660x508	—	610
650x450	26x18	660x457	—	610
700x650	28x26	711x660	—	610
700x600	28x24	711x610	720x630	610
700x550	28x22	711x559	—	610
700x500	28x20	711x508	720x530	610
750x700	30x28	762x711	—	610
750x650	30x26	762x660	—	610
750x600	30x24	762x610	—	610
750x550	30x22	762x559	—	610
800x750	32x30	813x762	—	610

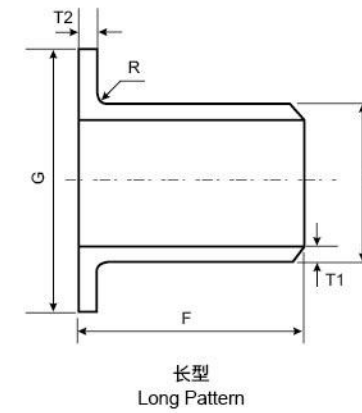
公称通径 Nominal Diameter		坡口处外径 Outside Diameter D1*D2		端面 至端面 End to End H
DN	NPS	A 系列 Series A	B 系列 Series B	
800x700	32x28	813x711	820x720	610
800x650	32x26	813x660	—	610
800x600	32x24	813x610	820x630	610
850x800	34x32	864x813	—	610
850x750	34x30	864x762	—	610
850x700	34x28	864x711	—	610
850x650	34x26	864x660	—	610
900x850	36x34	914x864	—	610
900x800	36x32	914x813	920x820	610
900x750	36x30	914x762	—	610
900x700	36x28	914x711	920x720	610
950x900	38x36	965x914	—	610
950x850	38x34	965x864	—	610
950x800	38x32	965x813	—	610
950x750	38x30	965x762	—	610
1000x950	40x38	1016x965	—	610
1000x900	40x36	1016x914	1020x920	610
1000x850	40x34	1016x864	—	610
1000x800	40x32	1016x813	1020x820	610
1050x1000	42x40	1067x1016	—	610
1050x950	42x38	1067x965	—	610
1050x900	42x36	1067x914	—	610
1050x850	42x34	1067x864	—	610
1100x1050	44x42	1118x1067	—	610
1100x1000	44x40	1118x1016	1120x1020	610
1100x950	44x38	1118x965	—	610
1100x900	44x36	1118x914	1120x920	610
1150x1100	46x44	1168x1118	—	711
1150x1050	46x42	1168x1067	—	711
1150x1000	46x40	1168x1016	—	711
1150x950	46x38	1168x965	—	711
1200x1150	48x46	1220x1168	—	711
1200x1100	48x44	1220x1118	1220x1120	711
1200x1050	48x42	1220x1067	—	711
1200x1000	48x40	1220x1016	1220x1020	711

上述尺寸符合GB/T12459、GB/T13401、ASME B16.9、SH3408、SH3409、HG/T21635、HG/T21631、SY/T05010标准
Above dimensions acc.to GB/T13401、ASME B16.9、SH3408、SH3409、HG/T21635、HG/T21631、SY/T05010

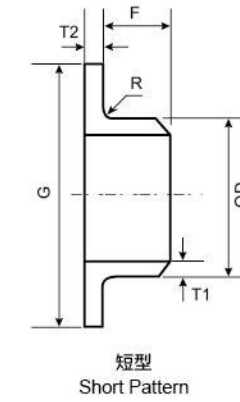
钢制对焊管件 BUTT WELDING FITTINGS



肖特管件



长型
Long Pattern



短型
Short Pattern

翻边短节 LAP JOINT STUB END

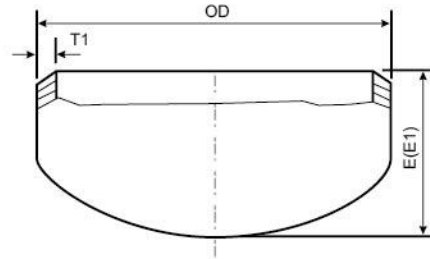
公称通径 Nominal Diameter		短节外径 Outside Diameter OD	接管长度F Length		搭接外径 Diameter Of Lap Nominal&Maximum G	圆角半径 R	
DN	NPS		长型 LP	短型 SP		A Max	B Max
15	1/2	21.3	76	51	35	3	0.75
20	3/4	28.7	76	51	43	3	0.75
25	1	33.4	102	51	51	3	0.75
32	1.1/4	42.4	102	51	64	5	0.75
40	1.1/2	48.3	102	51	73	6	0.75
50	2	60.3	152	64	92	8	0.75
65	2.1/2	73.0	152	64	105	8	0.75
80	3	88.9	152	64	127	10	0.75
90	3.1/2	101.6	152	76	140	10	0.75
100	4	114.3	152	76	157	11	0.75
125	5	141.3	203	76	186	11	1.5
150	6	168.3	203	89	216	13	1.5
200	8	219.1	203	102	270	13	1.5
250	10	273.1	254	127	324	13	1.5
300	12	323.9	254	152	381	13	1.5
350	14	355.6	305	152	413	13	1.5
400	16	406.4	305	152	470	13	1.5
450	18	457.2	305	152	533	13	1.5
500	20	508	305	152	584	13	1.5
550	22	559	305	152	641	13	1.5
600	24	610	305	152	692	13	1.5

注：上述尺寸符合MSS SP-43、ASME B16.9标准。
Above dimensions acc. to MSS SP-43、ASME B16.9.

钢制对焊管件 BUTT WELDING FITTINGS



肖特管件



管帽 CAP

公称通径 Nominal Diameter		端部外径 Outside Diameter at Bevel		背面至端面的距离 Back to End		
DN	NPS	A 系列 Series A	B 系列 Series B	E	长度E时极限厚度T	E1
15	1/2	21.3	18	25	4.57	25
20	3/4	26.9	25	25	3.81	25
25	1	33.7	32	38	4.57	38
32	1.1/4	42.4	38	38	4.83	38
40	1.1/2	48.3	45	38	5.08	38
50	2	60.3	57	38	5.59	44
65	2.1/2	73.0	76	38	7.11	51
80	3	88.9	89	51	7.62	64
90	3.1/2	101.6	—	64	8.13	76
100	4	114.3	108	64	8.64	76
125	5	139.7	133	76	9.65	89
150	6	168.3	159	89	10.92	102
200	8	219.1	219	102	12.70	127
250	10	273.0	273	127	12.70	152
300	12	323.9	325	152	12.70	178
350	14	355.6	377	165	12.70	191
400	16	406.4	426	178	12.70	203
450	18	457.2	478	203	12.70	229
500	20	508.0	529	229	12.70	254
550	22	559	—	254	12.70	254
600	24	610	630	267	12.70	305
650	26	660	—	267	—	—
700	28	711	720	267	—	—
750	30	762	—	267	—	—
800	32	813	820	267	—	—
850	34	864	—	267	—	—
900	36	914	920	267	—	—
950	38	965	—	305	—	—
1000	40	1016	1020	305	—	—
1050	42	1067	—	305	—	—
1100	44	1118	1120	343	—	—
1150	46	1168	—	343	—	—
1200	48	1220	1220	343	—	—

注：高度E适用于T不超过括号内数值时，否则应采用E1高度。

When T is less the dimension in parentheses, the height E is available. Otherwise E1 is available.

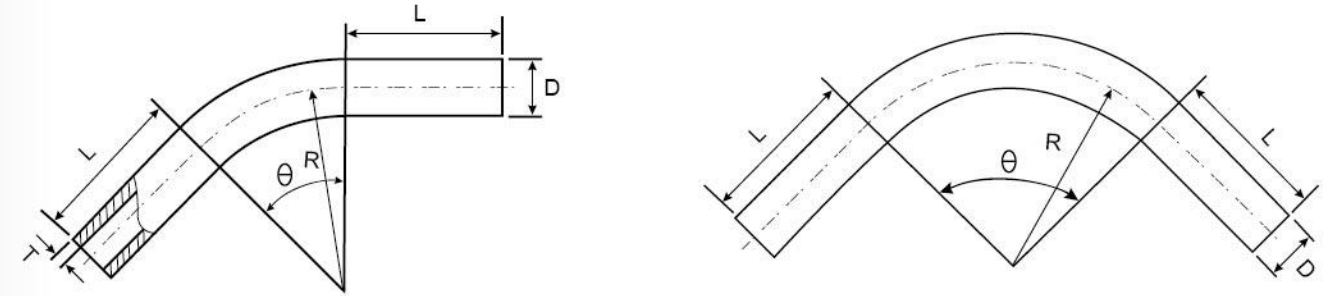
上述尺寸符合GB/T12459、GB/T13401、ASME B16.9、SH3408、SH3409、HG/T21635、HG/T21631、SY/T05010标准

Above dimensions acc.to GB/T13401、ASME B16.9、SH3408、SH3409、HG/T21635、HG/T21631、SY/T05010

钢制对焊管件 BUTT WELDING FITTINGS

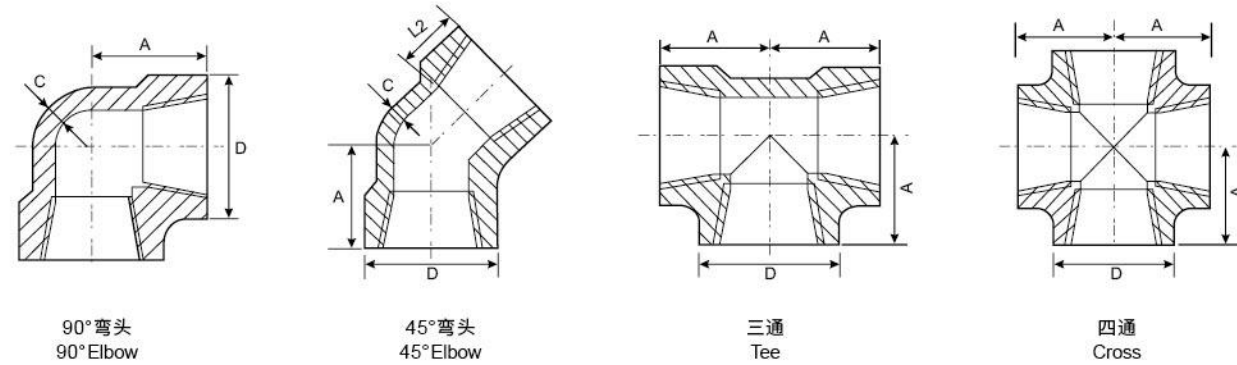


肖特管件



弯管 BEND

项目 Item	内容 Description
标准 Standard	按DL/T515《电站弯管》、SY5257《钢制弯管》执行，或按客户提出的标准或技术要求执行。 According to DL/T515 《power station Bend》，SY 5257 《steel Bend》，or customer's technical drawings
材料 Material	碳钢、合金钢、不锈钢。 Carbon steel, alloy steel, stainless steel
弯曲半径R Bend Radius R	R≤6000mm, 且R≥3D (用R等于3D、4D、5D、6D、7D、8D、9D、10D来表示弯曲半径, D为管子外径) R≥3D(R=3D、4D、5D、6D、7D、8D、9D、10D) D:outside diameter
弯曲角度θ Bend Angle θ	常用为15°、30°、45°、60°、90°、135°和180°，也可按客户提出的角度弯制。 Normally 15°、30°、45°、60°、90°、135°、180° or at customer's option
直段长度L Length of Straight L	弯管两端直段长度一般在300mm-1500mm左右，也可按客户要求定制长度。 Normally between 300mm and 1500mm in length of straight, It is at customer's option
外径D Outside Diameter D	D≤1220mm
壁厚T Wall Thickness T	T≤120mm
端部破口 End Bevel	按对焊管件端部破口结构型式执行 According to welding bevel of butt welding fitting
重量 Weight	重量(Kg)= $\frac{0.0433(D-T)TR\theta}{100000}$ +L(双端直管段重量) Weight/kg L(Weight of Double Sides Straight Length)



90°弯头
90° Elbow

45°弯头
45° Elbow

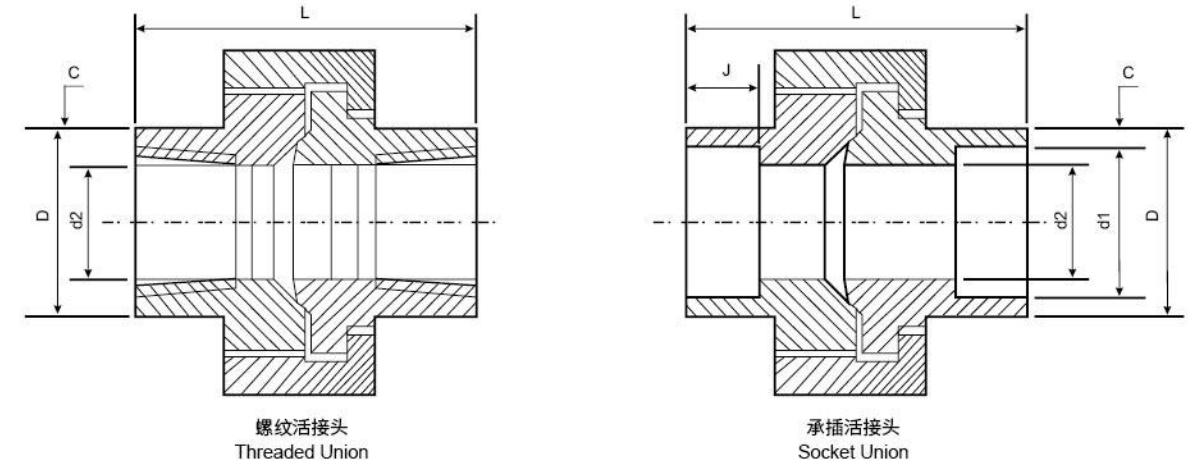
三通
Tee

四通
Cross

螺纹弯头、三通、四通 THREADED ELBOW TEE· CROSS

公称通径 Nominal Diameter		中心至端面 Center to End						外径 Outside Diameter			壁厚 Wall Thickness			螺纹长度 Length of Thread	
		A						D			Cmin				
		弯头、三通、四通 Elbow, Tee, Cross			45°弯头 45° Elbow										
DN	NPS	2000LB	3000LB	6000LB	2000LB	3000LB	6000LB	2000LB	3000LB	6000LB	2000LB	3000LB	6000LB	NPT	RC
		Sch80	Sch160	XXS	Sch80	Sch160	XXS	Sch80	Sch160	XXS	Sch80	Sch160	XXS		
6	1/8	21	21	25	17	17	19	22	22	25	3.0	3.0	6.5	6.5	6.5
8	1/4	21	25	29	17	19	22	22	25	33	3.0	3.5	6.5	8.0	10.0
10	3/8	25	29	33	19	22	25	25	33	38	3.0	3.5	7.0	9.0	10.5
15	1/2	29	33	38	22	25	29	33	38	46	3.0	4.0	8.0	11.0	13.5
20	3/4	33	38	44	25	29	33	38	46	56	3.0	4.5	8.5	12.5	14.0
25	1	38	44	51	29	33	35	46	56	62	3.5	5.0	10.0	14.5	17.5
32	1.1/4	44	51	60	33	35	43	56	62	75	4.0	5.5	10.5	17.0	18.0
40	1.1/2	51	60	64	35	43	44	62	75	84	4.0	5.5	11.0	18.0	18.5
50	2	60	64	83	43	45	52	75	84	102	4.5	7.0	12.0	19.0	19.0
65	2.1/2	76	83	95	52	52	64	92	102	121	5.5	7.5	15.5	23.5	29.0
80	3	86	96	106	64	64	79	110	121	146	6.0	9.0	16.5	26.0	30.5
100	4	106	114	114	79	79	79	146	152	152	6.5	11.0	18.5	27.5	33.0

上述尺寸符合GB/T14626、ANSI B16.11、BS3799标准。
Above dimensions acc.to the standard of GB/T14626、ANSI B16.11、BS3799.



螺纹活接头
Threaded Union

承插活接头
Socket Union

活接头（螺纹、承插） UNION (Threaded and Socket)

公称通径 Nominal Diameter		外径 Outside Diameter		壁厚 Wall Thickness		承插孔径 Socket Bore	流通孔径 Water way Bore	承插孔深度 Depth of Socket	公称装配长度 Length Assem Nominal
		Dmin		Cmin		d1	d2	J	L
		承插焊 Socket	螺纹 Threaded	承插焊 Socket	螺纹 Threaded	承插焊 Socket	承插焊、螺纹 Socket & Threaded	承插焊 Socket	承插焊、螺纹 Socket & Threaded
DN	NPS								
6	1/8	21.8	14.7	3.2	2.5	10.65	6.43	10	41.4
8	1/4	21.8	19.0	3.3	3.1	14.10	9.45	10	41.4
10	3/8	25.9	22.9	3.5	3.2	17.55	13.51	10	46.0
15	1/2	31.2	27.7	4.1	3.8	21.70	17.07	10	49.0
20	3/4	37.1	33.5	4.3	4.0	27.05	21.39	13	56.9
25	1	45.5	41.4	5.0	4.6	33.80	27.74	13	62.0
32	1.1/4	54.9	50.5	5.3	4.9	42.55	35.36	13	71.1
40	1.1/2	61.5	57.2	5.6	5.1	48.65	41.20	13	76.5
50	2	75.2	70.1	6.1	5.6	61.10	52.12	16	86.1
65	2.1/2	91.7	85.3	7.7	7.1	73.80	64.31	16	102.4
80	3	109.2	102.4	8.4	7.7	89.80	77.27	16	109.0

上述尺寸符合MSS SP-83、BS3799标准。Above dimensions acc.to MSS SP-83、BS3799.

承插管件(SOCKET WELDING FITTINGS)

承插焊管件源于美国ANSI B16.11, 仅用于英制管, 但由于其施工简单方便, 产品安全可靠, 标准化程度高, 为此国内使用日益广泛, 并逐渐扩展到公制管领域, 本公司生产英制及公制两个系列的承插焊管件。除承插口尺寸按本页下表有所区别外, 其余均相同。

Socket welding fittings are derived from American ANSI B16.11, only suitable for BSP pipe fittings. However, due to their simple installation, simple and safe operation, reliable performances and high quality, they enjoy a great popularity among customers at home and abroad and have gradually expanded to the field of metric pipe fittings. Longnai specializes in producing and processing two series of socket welding fittings, namely BSP and metric socket welding fittings. Except for socket size difference (see the following table), these fittings are of the same kind.

本公司生产的承插焊管件符合下列标准:

Our company manufacture socket welding fitting as following standard:

英制管系列 British series	公制管系列 Metric series
ANSI B16.11 BS3799 JIS B2316 GB/T14383(A系列) 中石化 SH3410 化工部 HG21634	GB/T14383(B系列) 化工部 HG21634(公制系列)

国内公制管一般不采用壁厚等级, 而注明具体壁厚, 为此, 用户在定购公制承插管件, 应注明具体外径及壁厚尺寸。

It doesn't say schedule but thickness for metric pipe. So you shall tell the OD and thickness when order.

例如(For example):

SH3410 弯头(elbow) 1" Sch80(或3000LB) 20# (用于英制管 British series)

HG21634 弯头(elbow) ϕ 45x4 20# (用于公制管 Metric series)

本公司生产的承插焊管件材料有碳钢、合金钢、不锈钢,供用户选用。

We manufacture the socket welding fittings in carbon steel, Alloy steel and stainless steel for user customer.

承插焊管件压力等级与管子壁厚管表号 Pressure Rate and Schedule		
压力等级Rate	管子壁厚管表号Schedule	
3000LB	Sch80	XS
6000LB	Sch160	—
9000LB	—	XXS

小口径管壁厚 Thickness of small diameter pipe mm				
DN	NPS	管子壁厚管表号Schedule		
mm	in	Sch80	Sch160	XXS
6	1/8	2.41	3.15	4.83
8	1/4	3.02	3.60	6.05
10	3/8	3.20	4.01	6.40

承插口尺寸表 SOCKET WELDING END DIMENSION

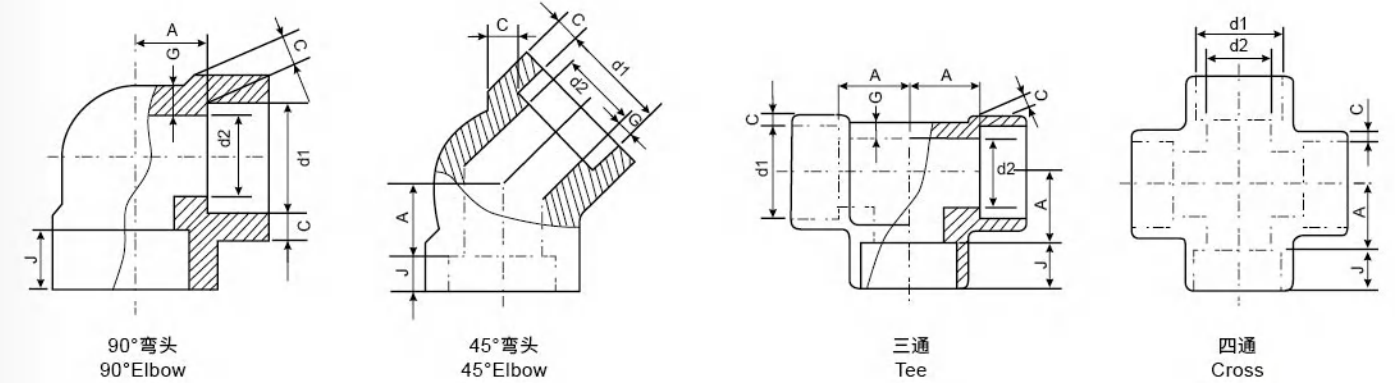
公称通径 Nominal Diameter		Jmin	ANSI B16.11 SH3410 GB/T 14383 (A系列) JIS B2316									GB/T14383 (B系列) HG21634 (公制)			
			钢管外径 Outside Diameter of Pipe	插口直径 Bmin Diameter of Fancet	插口孔柱 Dmin 14383			插口壁厚 C min			钢管外径 Outside diameter of pipe	插口直径 Bmin Diameter of Fancet	插口孔柱 D		
					3000LB Sch80	6000LB Sch160	9000LB XXS	3000LB Sch80	6000LB Sch160	9000LB XXS			3000LB Sch80	6000LB Sch160	
DN	NPS														
6	1/8	10	10.3	10.7	6.1	3.2	—	3.2	3.5	—	10	10.4	5	4	
8	1/4	10	13.9	14.1	8.5	5.6	—	3.3	4.0	—	12	12.4	6	5	
10	3/8	10	17.1	17.5	11.8	8.4	—	3.5	4.4	—	14	14.4	8	6	
15	1/2	10	21.3	21.8	15	11.0	5.6	4.1	5.2	8.2	18	18.5	11	19	
20	3/4	13	26.9	27.4	20.2	14.8	10.3	4.3	6.1	8.6	25	25.5	17	14	
25	1	13	33.7	34.2	25.9	19.9	14.5	5.0	7.0	10.0	32	32.5	23	20	
(32)	1.1/4	13	42.4	42.9	34.3	28.7	22	5.3	7.0	10.6	38	38.5	28	26	
40	1.1/2	13	48.3	48.3	40.1	33.2	27.2	5.6	7.8	11.2	45	45.5	35	31	
50	2	16	60.3	61.1	51.7	42.1	37.4	6.1	9.5	12.2	57	57.8	46	40	
(65)	2.1/2	16	71.6(73)	71.6(73.8)	61.2	56.1	—	7.7	12.5	—	76	76.8	62	56	
80	3	16	88.9	89.8	76.4	66.9	—	8.3	13.8	—	89	89.9	73	67	
100	4	19	114.3	115.5	100.7	—	—	9.4	—	—	108	109.2	91	—	

说明:

- 承插焊管件一般用于英制管, 但当用户注明时, 本公司亦可生产用于公制管的承插焊管件, 其承口尺寸按上表右列尺寸。
- 公制承插口壁厚尺寸Cmin值按英制管插口相应数值。
- 公制承插口尺寸D, 可根据具体壁厚调整, 为此用户定购公制承插管件时, 可注明管子壁厚尺寸, 代替压力等级。

Note:

- Socket welded fitting is used in British system. But we can make according to Metric system if noted by customer. The dimension of socket end is according to the right column.
- The dimension of socket end is according to the related pipe dimension in British system.
- D is according to wall thickness. So note the wall thickness but not pressure when you order metric socket welded fitting.



承插焊弯头、三通、四通 SOCKET WELDING ELBOW, TEE, CROSS

公称通径 Nominal Diameter	承插孔深度 Depth of Socket	承插孔直径 Dimension of Socket	壁厚 Wall Thickness			中心至承插孔底 Center to Bottom of Socket						
			Cmin	A			90°弯头、三通、四通 90°Elbow, Tee, Cross			45°弯头 45°Elbow		
				3000LB Sch80	6000LB Sch160	9000LB XXS	3000LB Sch80	6000LB Sch160	9000LB XXS	3000LB Sch80	6000LB Sch160	9000LB XXS
DN	NPS	Jmin	d1	3000LB Sch80	6000LB Sch160	9000LB XXS	3000LB Sch80	6000LB Sch160	9000LB XXS	3000LB Sch80	6000LB Sch160	9000LB XXS
6	1/8	10	10.7	3.2	3.5	—	11	11	—	8	8	—
8	1/4	10	14.1	3.3	4.0	—	11	15	—	8	8	—
10	3/8	10	17.5	3.5	4.4	—	13	15	—	8	12	—
15	1/2	10	21.8	4.1	5.2	8.2	16	19	25	11	13	16
20	3/4	13	27.4	4.3	6.1	8.6	19	22	28	13	14	18
25	1	13	34.2	5.0	7.0	10.0	22	27	32	14	18	22
32	1.1/4	13	42.9	5.3	7.0	10.6	27	32	35	18	21	22
40	1.1/2	13	48.3	5.6	7.8	11.2	32	38	38	21	25	25
50	2	16	61.1	6.1	9.5	12.2	38	41	41	25	29	29
65	2.1/2	16	76.9(73.8)	7.7	12.5	—	41	57	—	29	32	—
80	3	16	89.8	8.3	13.8	—	57	64	—	32	35	—
100	4	19	115.5	9.4	—	—	66	—	—	42	—	—

说明:

承插壁厚外圈平均值不低于所列值, 最小值仅限于局部区域。

Average of socket wall thickness around periphery shall be no less than listed values. The minimum values are permitted in localized areas.

上述尺寸符合ASME B16.11、GB/T14383、SH3410、HG/T21634、JIS B2316、BS3799标准。

Above dimensions acc. to ASME B16.11、GB/T14383、SH3410、HG/T21634、JIS B2316、BS3799.



支管台(管座)

OUTLET (MSS SP97、GB19326、Q/FG11-16)

支管台是国外近年来应用较多的，用于支管连接的补强型管件，代替传统使用的异径三通、补强板、加强管段等支管连接型式，具有安全可靠、造价低、施工简单、改善介质流动、系列标准化、设计选用方便等突出优点，尤其在高压、高温、大口径、厚壁管道中使用日益广泛，取代了传统的支管连接方法。支管台本体采用优质锻件，用材与管道材料相同，本公司提供碳钢、合金钢、不锈钢等多种材质方便用户选用。

支管台与主管均采用焊接，支管台与支管或其他管（如短管、丝堵等）、仪表、阀门的连接有对焊、承插焊、螺纹等多种型式。

Outlet is used widely abroad in recent years, It is used to connect the reinforced fitting. It can replace the reducing tee, reinforce plate and reinforced pipe. It is used widely more and more in high pressure high temperature large diameter and thick wall pipe. As it is reliability, cheap, simple, good for flow, seriation, standardization and choose easily. It takes place of traditional connecting ways. The body of outlets is made in excellent Forgings. The material is same as pipe's. Our company can make outlet from carbon steel, Alloy steel and stainless steel.

Outlet is welded to the main pipe. And is connected to the branch or other fittings such as nipple thread plug, Instrument and valve by Butt-welding, Socket-welding and thread.

支管台形式有标准型、短管型、斜接型、弯头型，详见下表：

The type of outlet is standard, Nipolet, Latrolet and Elbolet. Detail as following list:

型式 Type	连接型式(支管台与支管) Connected type		
	承插焊 GB19326 Socket welded	管螺纹 GB19326 Pipe thread	对焊 GB19326 Butt-welding
标准型 Standard	SOL (MSS SP-97、Q/FG11 标准)	TOL (MSS SP-97、Q/FG12 标准)	WOL (MSS SP-97、Q/FG13 标准)
短管型 Nipolet	SNL (Q/FG14 标准)	TNL (Q/FG14、SHB-PO1)	WNL (Q/FG14 标准)
斜接型 (45°) Latrolet	SEL (Q/FG15 标准)	TLL (Q/FG15、SHB-PO1)	WLL (Q/FG15 标准)
弯头型 (1.5D) Elbolet		TEL (Q/FG16、SHB-PO1)	WEL (Q/FG16 标准)

样本所示均为适用于英制管的支管台产品系列，本公司也可生产适用于公制管的支管台产品（管螺纹型除外），用户在定货时应说明下列项目：

- ▶ 型式代号（支管台及连接型式）；
- ▶ 支管及支管公称尺寸（如为公制管应注明外径尺寸）
- ▶ 支管及支管壁厚等级（如为公制管应注明壁厚尺寸）
- ▶ 管螺纹代号（仅指螺纹型）
- ▶ 高度（仅指短管支管台）



We only note the British outlet in the catalogue. But we also can make Metric outlet except threaded type. Following items shall be specified when purchase:

- ▶ Type;
- ▶ Nominal dimension of main and branch pipe. If it's metric, specify the out diameter;
- ▶ Schedule of main and branch pipe. If it's metric, specify the wall thickness;
- ▶ Thread code only for threaded outlet;
- ▶ Height only for Nipolet.



对焊支管台 WELDOLET

执行标准: MSS SP97、GB19326、Q/FG13

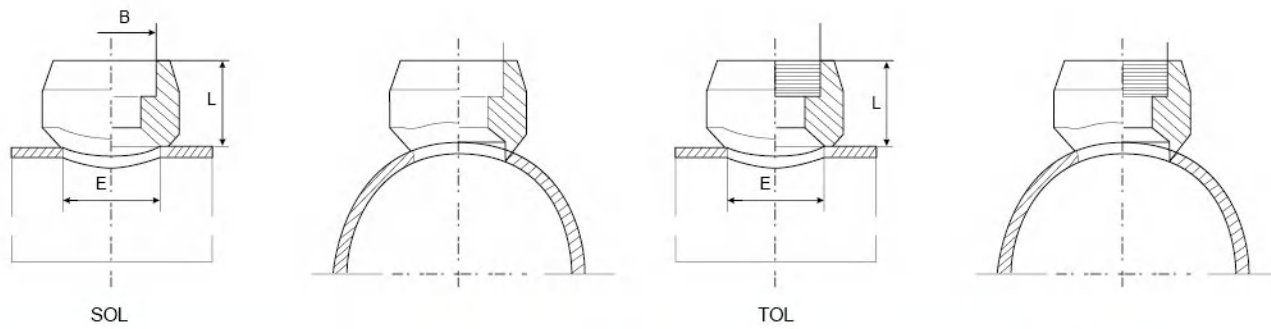
公称通径 Nominal Diameter		适用主管公称通径 □ Nominal Diameter of Suited Main Pipe ≥		L			E		
DN	NPS	mm	in	STD	XS	XXS	STD	XS	XXS
6	1/8	20	3/4	15.9	—	—	15.9	—	—
8	1/4	20	3/4	15.9	—	—	15.9	—	—
10	3/8	25	1	19.1	—	—	19.1	—	—
15	1/2	32	1.1/4	19.1	19.1	28.6	23.8	23.8	14.3
20	3/4	40	1.1/2	22.2	22.2	31.8	30.2	30.2	19.1
25	1	40	1.1/2	27.0	27.0	38.1	36.5	36.5	25.4
32	1.1/4	65	2.1/2	31.8	31.8	44.5	44.5	44.5	33.3
40	1.1/2	65	2.1/2	33.3	33.3	50.8	50.8	50.8	38.1
50	2	80	3	38.1	38.1	8.6	65.1	65.1	42.9
65	2.1/2	100	4	41.3	41.3	61.9	76.2	76.2	54.0
80	3	125	5	44.5	44.5	73.0	93.7	93.7	77.0
90	3.1/2	150	6	47.0	47.0	—	101.6	101.6	—
100	4	150	6	50.8	50.8	84.1	120.7	120.7	98.4
125	5	200	8	57.2	57.2	93.7	141.3	141.3	122.2
150	6	200	8	60.3	77.8	104.8	169.9	169.9	146.1
200	8	250	10	69.9	98.4	—	220.7	220.7	—
250	10	300	12	77.8	93.7	—	274.6	265.1	—
300	12	350	14	85.7	103.2	—	325.4	317.5	—
350	14	400	16	88.9	100.0	—	357.2	350.9	—
400	16	450	18	93.7	106.4	—	408.0	403.2	—
450	18	500	20	96.8	111.1	—	458.8	455.6	—
500	20	600	24	101.6	119.1	—	508.8	509.6	—
600	24	650	26	115.9	139.7	—	614.4	614.4	—

说明:

- 1、表列“适用主管公称通径”为一般用途，如需用于更小的主管尺寸，应与制造厂协商。
- 2、表列 E 值适用于国际通用系列的钢管尺寸（英制管），如需用于国内沿用系列钢管（公制管），E 值将有所调整，但 L 值不变。
- 3、上表所列对焊支管台有 STD、XS、XXS 三种等级，选用较为复杂，为此，用户选用时，必须将主管及支管的公称通径及壁厚等级注明，本公司可根据上述参数确定符合用户需要的支管台等级及有关结构尺寸，如用于公制管，用户应注明主管及支管的外径和壁厚尺寸。
- 4、定货时必须注明主管及支管尺寸、压力等级及材料编号。如：WOL 14"x4" Sch40xSTD 16Mn (用于英制管)
WOL 377x108 12x8 16Mn (用于公制管)

Note:

- 1、Normal diameter of suited main pipe as list is for ordinary use. If used to smaller main pipe, discuss it with manufacturer.
- 2、E is for international pipe. If used to metric pipe, E will be changed, But L is constant.
- 3、Three grades-STD, XS, XXS for weldolet. It's complicated to choose. So you shall specify DN dimension you need. If used for metric pipe. Specify OD and thickness.
- 4、Specify dimension of main and branch pipe. grade and material. For example: WOL 14"x4" Sch40xSTD 16Mn (British series)
WOL 377x108 12x8 16Mn (Metric series)



承插焊支管台 SOCKOLET

执行标准: MSS SP97、GB19326、Q/FG11

支管公称通径 Nominal Diameter of Branch		适用主管公称通径 Nominal Diameter of Suited Main Pipe 不小于 ≥		L		E	
DN (mm)	NPS (in)	mm	in	3000LB	6000LB	3000LB	6000LB
6	1/8	20	3/4	19.1	—	15.9	—
8	1/4	20	3/4	19.1	—	15.9	—
10	3/8	25	1	20.6	—	19.1	—
15	1/2	32	1.1/4	25.4	31.8	23.8	19.1
20	3/4	40	1.1/2	27.0	36.5	30.2	25.4
25	1	50	2	33.3	39.7	36.5	33.3
32	1.1/4	65	2.1/2	33.3	41.3	44.5	38.1
40	1.1/2	65	2.1/2	34.9	42.9	50.8	49.2
50	2	80	3	38.1	52.4	65.1	69.9
65	2.1/2	100	4	39.7	—	76.2	—
80	3	125	5	44.5	—	93.7	—
100	4	150	6	47.6	—	120.7	—

说明:

- 承插口尺寸 B 根据支管尺寸 (英制管或公制管) 的规定。
- 表列“适用主管公称通径”为一般用途, 如需用于更小的主管尺寸应与制造厂协商。
- 按下表选用支管台的压力等级, 如用于公制管, 用户应注明支管壁厚尺寸。

压力等级 Pressure Grade	适用支管壁厚等级 Suitable shedule of branch
3000LB	Sch40、Sch80、STD、XS
6000LB	Sch160 XXS

- 表列 E 值适用于国际通用系列的钢管尺寸 (英制管), 如需用于国内沿用系列钢管 (公制管), E 值将有所调整, 但 L 值不变。
- 定货时必须说明主管及支管公称尺寸、压力等级及材料牌号 (如用于公制管, 应注明主管及主管外径尺寸和壁厚)。

螺纹支管台 THREADOLET

执行标准: MSS SP97、GB19326、Q/FG12

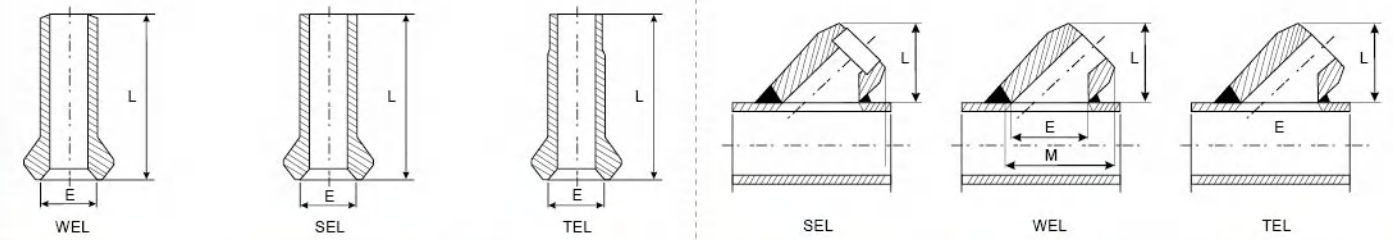
支管公称通径 Nominal Diameter of Branch		适用主管公称通径 Nominal Diameter of Suited Main Pipe 不小于 ≥		L		E	
DN (mm)	NPS (in)	mm	in	3000LB	6000LB	3000LB	6000LB
6	1/8	20	3/4	19.1	—	15.9	—
8	1/4	20	3/4	19.1	—	15.9	—
10	3/8	25	1	20.6	—	19.1	—
15	1/2	32	1.1/4	25.4	31.8	23.8	19.1
20	3/4	40	1.1/2	27.0	36.5	30.2	25.4
25	1	50	2	33.3	39.7	36.5	33.3
32	1.1/4	65	2.1/2	33.3	41.3	44.5	38.1
40	1.1/2	65	2.1/2	34.9	42.9	50.8	49.2
50	2	80	3	38.1	52.4	65.1	69.9
65	2.1/2	100	4	46.0	—	76.2	—
80	3	125	5	50.8	—	93.7	—
100	4	150	6	57.2	—	120.7	—

说明:

- 锥管螺纹可按 ANSI B1.20.1 NPT 或 ISO7/1 Rp 或 Rc 锥管螺纹, 尺寸同支管公称通径 (in), 用户需注明锥管螺纹代号。
- 表列“适用主管公称通径”为一般用途, 如需用于更小的主管尺寸应与制造厂协商。
- 按下表选用支管台的压力等级:

压力等级 Pressure Grade	适用支管壁厚等级 Suitable shedule of branch
3000LB	Sch40、Sch80、STD、XS
6000LB	Sch160 XXS

- 螺纹支管台仅适用于国际通用系列的钢管 (英制管)。
- 定货时必须注明主管及支管公称尺寸、压力等级、材料牌号、螺纹代号。



短管支管台 NIPOLET

执行标准: MSS SP97、GB19326、Q/FG14

支管公称通径 Nominal Diameter of Branchh		适用主管公称通径 Nominal Diameter of Suited Main Pipe 不小于 ≥		E		L
DN (mm)	NPS (in)	mm	in	3000LB	6000LB	
15	1/2	32	1.1/4	23.8	14.3	100
20	3/4	40	1.1/2	30.2	19.1	
25	1	50	2	36.5	25.4	150
32	1.1/4	65	2.1/2	44.5	33.3	
40	1.1/2	65	2.1/2	50.8	38.1	
50	2	80	3	65.1	49.2	

说明:

- 短管支管台长度 L 应在订货时说明。
Specify the length of Nipolet when order
- 短管支管台上端的型式有:
Type of Nipolet top end
SNL 平端 Flat end 用于承插焊 For socket weld
WNL 坡口端 Beveled 用于对焊 For butt weld
TNL 锥管螺纹 (外) NPT 或 Rc (订货时应予说明
Specify when order)
- 按下表选用支管台的压力等级 (用于英制管):
To choose the pressure grade to the following list (British series)

压力等级 Pressure Grade	适用支管壁厚等级 Suitable shedule of branch
3000LB	Sch40、Sch80、STD、XS
6000LB	Sch160 XXS

- 表列 E 值适用于国际通用系列的钢管尺寸 (英制管), 如需用于国内沿用系列钢管 (公制管), E 值将有所调整, 但 L 值不变。
E is for international pipe. If used to metric pipe, E will be changed, But L is constant.
- 定货时必须注明主管及支管公称尺寸、压力等级、长度及材料牌号 (如用于公制管, 应注明主管及支管外径和壁厚尺寸)。
Specify nominal dimension of main and branch pipe, Pressure grade and material. If used for metric pipe, Specify the outer diameter and wall thickness of main and branch pipe:
SNL 10"x1.1/2" 3000LB L100 304 (用于英制管 British series)
TNL 159x25 8x3 L150 20 (用于公制管 Metric series)

斜接支管台 LATIOLET

执行标准: MSS SP97、GB19326、Q/FG15

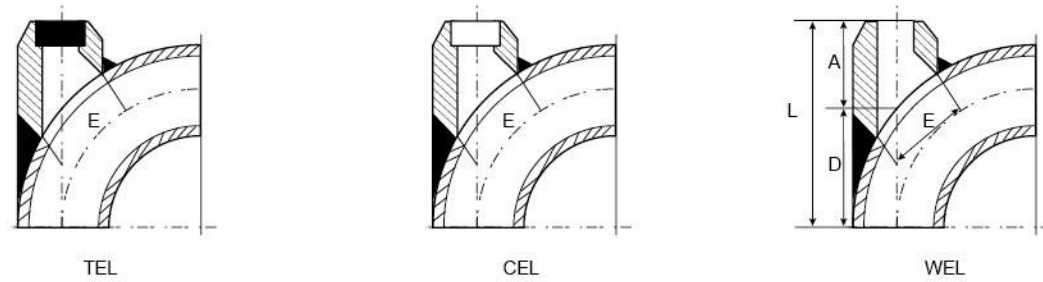
支管公称通径 Nominal Diameter of Branchh		适用主管公称通径 Nominal Diameter of Suited Main Pipe 不小于 ≥		L	E	M
DN (mm)	NPS (in)	mm	in			
8	1/4	32	1.1/4	40	37	59
10	3/8	32	1.1/4	40	37	59
15	1/2	32	1.1/4	40	37	59
20	3/4	40	1.1/2	46	44	70
25	1	50	2	54	54	83
32	1.1/4	65	2.1/2	64	67	97
40	1.1/2	80	3	70	78	108
50	2	100	4	86	100	137

说明:

- 斜接支管台上端型式有三种选用时应注明:
Three type of latiolet top end. Specify when choose.
WLL 对焊 butt weld
SLL 承插口 Socket weld
TLL 锥管螺纹 (内) NPT 或 Rc (订货时应予说明 Specify when order)
- 3000LB 级斜接支管台适用于下列支管壁厚等级 (用于英制管)
Latiolet which pressure grade is 3000LB is suitable to following list (British series)

压力等级 Pressure Grade	适用支管壁厚等级 Suitable shedule of branch
3000LB	Sch40、Sch80、STD、XS

- 定货时必须说明主管及支管公称尺寸、压力等级、材料牌号, 如用于公制管, 应注明主管及支管外径和壁厚尺寸。
Specify nominal dimension of main and branch pipe, Pressure grade, material. If used to metric pipe specify the outer diameter and wall thickness of main branch pipe.
SLL 4"x1/2" 3000LB 20 (用于英制管 British series)
WLL 108x18 3000LB 20 (用于公制管 Metric series)



弯头支管台 Elbolet

执行标准: MSS SP97, GB19326, Q/FG16

支管公称通径 Nominal Diameter of Branch		适用主管公称通径 □ Nominal Diameter of Suited Main Pipe 不小于 ≥		E	A	L
DN (mm)	NPS (in)	mm	in	3000LB		
8	1/4	32	1.1/4	38	40	A+D
10	3/8	32	1.1/4	38	40	
15	1/2	32	1.1/4	38	40	
20	3/4	40	1.1/2	44	48	
25	1	50	2	57	57	
32	1.1/4	65	2.1/2	73	64	
40	1.1/2	80	3	79	68	
50	2	100	4	106	83	

说明:

- 尺寸 D 适于 ANSI B16.9 的长半径 90°弯头
- 弯头支管台的上端型式有三种, 选用时应注明: WEL — 对焊 SEL — 承插口 TEL 锥管螺纹 — (内)NPT 或 Rc、Rp
- 3000LB 级弯头支管台适用于下列支管壁厚等级:

压力等级 Pressure Grade	适用支管壁厚等级 Suitable schedule of branch
3000LB	Sch40、Sch80、STD、XS

- 订货时应注明弯头及支管公称尺寸、压力等级、材料编号, 如用于公制管, 应注明主管及支管外径和壁厚尺寸。

TEL 4"x1.1/2" 3000LB 20 (用于英制管)
SEL 108x18 6x3 20 (用于公制管)

Note:

- Size D is suitable to 90 Degree LR elbow according to ANSI B16.9.
- Three type of elbolet top end, specify when choose: WEL — 对焊 SEL — 承插口 TEL 锥管螺纹 — (内)NPT 或 Rc、Rp
- Elbolet which pressure grade is 3000LB is suitable to the following branch schedule: Sch40、Sch80、STD、XS.
- Specify nominal dimension of main and branch pipe, pressure grade, material and thread code:

TEL 4"x1.1/2" 3000LB 20 (For British series)
SEL 108x18 6x3 20 (For Metric series)

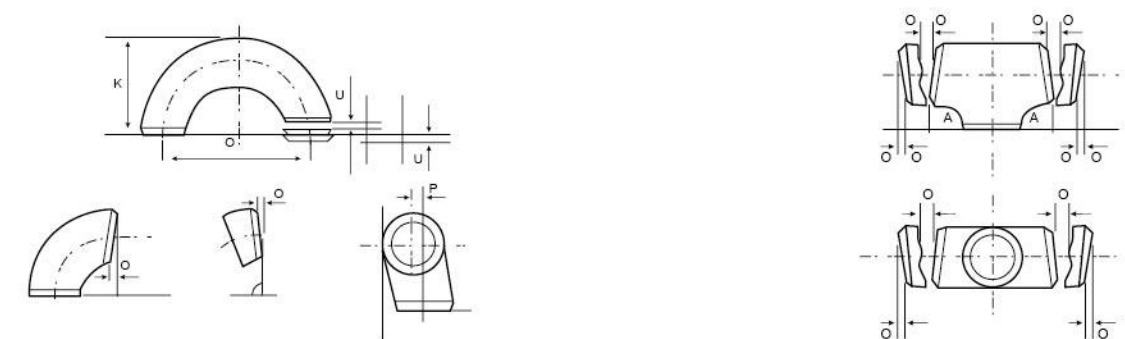
配用弯头尺寸 Mating Elbow Dimension

弯头 公称通径	mm	32	40	50	65	80	100	150	200	250	300
	in	1.1/4	1.1/2	2	2.1/2	3	4	6	8	10	12
size	D	50	54	72	93	108	144	218	290	362	434

对焊管件尺寸公差 TOLERANCE OF BUTT WELDING FITTINGS

公称直径 Nominal Diameter		坡口处外径 O.D.For Bevel End	端部内径 I.D.For End	壁厚 Wall Thickness	90°、45°弯头 Elbow		三通 Tee		异径管 Reducer	管帽 Cap	180°弯头 Elbow			
DN	NPS				A	B	C	M			H	E	O	K
15~65	1/2~2.1/2	+1.6 -0.8	±0.8	-12.5%						±3.2				
80~100	3~4	±1.6	±1.6		±1.6	±1.6	±1.6	±1.6	±1.6		±6.4			
125~200	5~8	+2.4 -1.6									±6.4	±6.4	±0.8	
250~450	10~18	+4.0 -3.2	±3.2		±2.4	±2.4	±2.4	±2.4	±2.4		±9.6			
500~600	20~24	+6.4 -4.8	±4.8		±3.2	±3.2	±3.2	±3.2	±3.2		±9.6			
650~750	26~30										±4.8			
800~1200	32~48										±4.8			
1250~1500	50~60	+9.6 -6.4	±6.4		±9.6	±9.6	±9.6	±9.6	±9.6					
1550~1750	62~70	+12.7 -9.6	±9.6		±12.7	±12.7								
1800~2000	72~80	+16 -12	±12		±16	±16								

对焊管件形位公差 ANGULARITY TOLERANCE OF BUTT WELDING FITTINGS



公称通径 Nominal Diameter		DN	15~100	125~200	250~300	350~400	450~600	650~700	800~1050	1100~1200	1300~1500
		NPS	1/2~4	5~8	10~12	14~16	18~24	26~30	32~42	44~48	52~60
倾斜角度差 Angularity tolerance	角度偏移 Off Angle	Q	1	2	3	3	4	5	5	5	6.4
	角度平移 Off Plain	P	2	4	5	6	10	10	13	19	20

注: 极限公差在不同标准中可能会略有差异。
Limiting tolerances can be slightly difference between the different standards and codes.

管件公差 TOLERANCE OF FITTINGS



承插焊管件尺寸的极限公差 TOLERANCES FOR SOCKET WELDING FITTINGS

公称直径 Nominal Diameter		所有管件 All Fittings		45°、90°弯头、三通、四通、斜三通 Elbow, Tee, Cross, Lateral	双承口管箍 Coupling	单承口管箍、异径接头 Half-coupling Reducing Inserts	活接头(承插与螺纹) Union (Socket and Thread)
		承插孔径 Socket Bore	流通孔径 Water Way Bore	中心至承插孔底 Center To Bottom of Socket	结构长度 Laying Lengths	结构长度 Laying Lengths	公称装配长度 Length Assem Nominal
DN	NPS	d1	d2	A, H	E	F	L
6~8	1/8~1/4			±0.8	±1.5	±0.8	±1.5
10~20	3/8~3/4	+0.3 0	±0.4	±1.5	±3.0	±1.5	±1.5
25~50	1~2			±2.0	±4.0	±2.0	±1.5
65~100	2.1/2~4	+0.4 0	±0.8	±2.5	±5.0	±2.5	±1.5

螺纹管件尺寸的极限公差 TOLERANCES FOR THREADED FITTINGS

公称直径 Nominal Diameter		45°、90°弯头、三通、四通 Elbow, Tee, Cross	双接口管箍、管帽 Coupling, Cap	单接口管箍、半管接头 Half-Coupling, Boss
		中心至端面 Center to End	端面至端面 End to End	端面至端面 End to End
DN	NPS	A	E、F	E/2
6~8	1/8~1/4	±0.7	±0.7	±0.4
10~20	3/8~3/4	±1.5	±1.5	±0.8
25~50	1~2	±2.0	±2.0	±1.0
65~100	2.1/2~4	±2.5	±2.5	±1.3

支管台尺寸的极限公差 TOLERANCES FOR O'LETS

支管台尺寸 Outlet Size	极限偏差 Tolerances	
	DN≤50 (2")	DN≥65 (2.1/2")
外径 O.D	±1.6	
长度 The length	±1.6	
承口内径 I.D	±0.3	±0.4
内径 I.D	±0.4	±0.8
承口深度 The depth of socket end	±0.5	
圆弧半径 Radius	±0.5	

注：极限公差在不同标准中可能会略有差异。
Limiting tolerances can be slightly difference between the different standards and codes.

钢管外径与壁厚表 OUTSIDE DIAMETER AND WALL THICKNESS



外径和壁厚表(GB/T 12459、GB/T 13401) OUTSIDE DIAMETER AND WALL THICKNESS

公称通径 Nominal Diameter	外径 Outside Diameter		公称壁厚 T Nominal Wall Thickness														
	A	B	SCH5s	SCH10s	SCH20s	LG	SCH20	SCH30	STD	SCH40	SCH60	XS	SCH80	SCH100	SCH120	SCH140	SCH160
15	21.3	18	1.6	2.1	2.6	---	---	---	---	2.9	---	---	3.6	---	---	---	4.5
20	26.9	25	1.6	2.1	2.6	---	---	---	---	2.9	---	---	4.0	---	---	---	5.6
25	33.7	32	1.6	2.8	3.2	---	---	---	---	3.2	---	---	4.5	---	---	---	6.3
32	42.4	38	1.6	2.8	3.2	---	---	---	---	3.6	---	---	5.0	---	---	---	6.3
40	48.3	45	1.6	2.8	3.2	---	---	---	---	3.6	---	---	5.0	---	---	---	7.1
50	60.3	57	1.6	2.8	3.6	---	3.2	---	---	4.0	---	---	5.6	---	---	---	8.8
65	76.1(73)	76	2.0	3.0	3.6	---	4.5	---	---	5.0	---	---	7.1	---	---	---	10.0
80	88.9	89	2.0	3.0	4.0	---	4.5	---	---	5.6	---	---	8.0	---	---	---	11.0
90	101.6	---	2.0	3.0	4.0	---	4.5	---	---	5.6	---	---	8.0	---	---	---	12.5
100	114.3	108	2.0	3.0	4.0	---	5.0	---	---	5.9	---	---	8.8	---	11.0	---	14.2
125	139.7	133	2.9	3.4	5.0	---	5.0	---	---	6.3	---	---	10.0	---	12.5	---	16.0
150	168.3	159	2.9	3.4	5.0	---	5.6	---	---	7.1	---	---	11.0	---	14.2	---	17.5
200	219.1	219	2.9	4.0	6.3	---	6.3	7.1	---	8.0	10.0	---	12.5	16.0	17.5	20.0	22.2
250	273.0	273	3.6	4.0	6.3	---	6.3	8.0	---	8.8	12.5	---	16.0	17.5	22.2	25.0	28.0
300	323.9	325	4.0	4.5	6.3	---	6.3	8.8	---	10.0	14.2	---	17.5	22.2	25.0	28.0	32.0
350	355.6	377	4.0	5.0	---	8.0	8.0	10.0	10.0	11.0	16.0	13.0	20.0	25.8	28.0	32.0	36.0
400	406.4	426	4.0	5.0	---	8.0	8.0	10.0	10.0	12.5	17.5	13.0	22.2	28.0	30.0	36.0	40.0
450	457.2	478	4.0	5.0	---	8.0	8.0	11.0	10.0	14.2	20.0	13.0	25.0	30.0	36.0	40.0	45.0
500	508.0	529	5.0	5.6	---	8.0	10.0	12.5	10.0	16.0	20.0	13.0	28.0	32.0	40.0	45.0	50.0
550	559	---	5.0	5.6	---	8.0	---	---	10.0	---	---	13.0	30.0	---	---	---	---
600	610	630	5.6	6.3	---	8.0	---	---	10.0	17.5	---	13.0	32.0	---	---	---	---
650	660	---	---	---	---	8.0	---	---	10.0	---	---	13.0	---	---	---	---	---
700	711	720	---	---	---	8.0	---	---	10.0	---	---	13.0	---	---	---	---	---
750	762	---	---	---	---	8.0	---	---	10.0	---	---	13.0	---	---	---	---	---
800	813	820	---	---	---	8.0	---	---	10.0	---	---	13.0	---	---	---	---	---
850	864	---	---	---	---	8.0	---	---	10.0	---	---	13.0	---	---	---	---	---
900	914	920	---	---	---	8.0	---	---	10.0	---	---	13.0	---	---	---	---	---
950	965	---	---	---	---	8.0	---	---	10.0	---	---	13.0	---	---	---	---	---
1000	1016	1020	---	---	---	8.0	---	---	10.0	---	---	13.0	---	---	---	---	---
1050	1067	---	---	---	---	8.0	---	---	10.0	---	---	13.0	---	---	---	---	---
1100	1118	1120	---	---	---	8.0	---	---	10.0	---	---	13.0	---	---	---	---	---
1150	1168	---	---	---	---	8.0	---	---	10.0	---	---	13.0	---	---	---	---	---
1200	1220	1220	---	---	---	8.0	---	---	10.0	---	---	13.0	---	---	---	---	---

SCH5s、10s、20s用于不锈钢管件 SCH5s、10s、20s applies for stainless steel fittings.

钢管外径与壁厚表 OUTSIDE DIAMETER AND WALL THICKNESS



肖特管件

外径和壁厚表(SY/T 0510 B类) OUTSIDE DIAMETER AND WALL THICKNESS

公称通径 Nominal Diameter	外径 Outside Diameter	公称壁厚 T Nominal Wall Thickness						
		公称压力 MPa Nominal Pressure						
DN	D	1.0	1.6	2.5	4.0	6.4	10.0	16.0
15	18	3	3	3	3	3	---	---
20	25	3	3	3	3	3	---	---
25	32	3.5	3.5	3.5	3.5	3.5	4.5	6.5
32	38	3.5	3.5	3.5	3.5	3.5	4.5	7
40	45	3.5	3.5	3.5	3.5	3.5	4.5	7
50	57	3.5	3.5	3.5	3.5	3.5	5	7
65	76	4	4	4	4	4.5	6	8
80	89	4	4	4	4	5	7	9
100	108	4	4	4	4	6	8	10
125	133	4	4	4	4	7	10	12
150	159	4.5	4.5	4.5	4.5	8	12	14
200	219	6	6	6	7	10	14	18
250	273	8	8	8	8	11	16	24
300	325	8	8	8	9	12	18	28
350	377	9	9	9	9	15	22	30
400	426	9	9	9	11	16	24	34
450	478	9	9	10	12	18	26	38
500	529	9	9	11	14	20	28	40
600	630	9	9	12	15	22	---	---

本表所列壁厚均按许用应力 $[\sigma]=131\text{MPa}$ 、介质的腐蚀裕度取1.5mm算出。

The schedule indicated in above list is worked out under the condition of allowable stress $[\sigma]$ equal to 131 MPa and the corrosion allowance equal to 1.5mm.

各国常用材料对照表 THE STANDARD CONTRAST TABLE FOR MATERIAL



肖特管件

各国对焊管件、板、管材料标准对照表

The Standard Contrast Table For Butt-welding Fitting, Steel plate And Pipe material

材料 Material	美国ASTM/ASME标准 American Standard			德国DIN或欧盟EN标准 German or European Union Standard			中国GB/HG标准 Chinese Standard		日本JIS标准 Japanese Standard		
	对焊管件 Butt-welding fitting	板 Steel plate	管 Steel pipe	对焊管件 Butt-welding fitting	板 Steel plate	管 Steel pipe	板 Steel plate	管 Steel pipe	对焊管件 Butt-welding fitting	板 Steel plate	管 Steel pipe
低碳钢 Mild steel	A234WPB	A283GrC A285GrC A516-60	A53GrB A106GrB	St 37.0 St 35.8I St 35.8III	RS137-2 H II H II	St 37.0 St 35.8I St 35.8III	Q235A Q235B 20R 20g	20 20G	PG370 PT410	SS400 SM400B SB410	STPG370 STPT410
1Cr-1/2Mo	A234WP12	A387Gr12	A335P12	13CrMo44 1.7335	DIN 17155 13CrMo44	DIN 17175 13CrMo44	GB6654 15CrMoR	GB5310 15CrMo	PA22	SCMV2	STPA22
11/4Cr-1/2Mo-Si	A234WP11	A387Gr11	A335P11	---	---	---	GB150 14Cr1MoR	---	PA23	SCMV3	STPA23
21/4Cr-1Mo	A234WP22	A387Gr22	A335P22	10CrMo910 1.7380	DIN17155 10CrMo910	DIN17175 10CrMo910	---	GB5310 12Cr2MoG	PA24	SCMV4	STPA24
5Cr-1/2Mo	A234WP5	A387Gr5	A335P5	---	---	---	---	GB6497 1Cr5Mo	PA25	SCMV6	STPA25
-46°C C-Mn钢	A420WPL6	A516Gr60 A516Gr70	A333Gr6	TSTE285 (1.0488) TSTE355 (1.0566)	DIN17102 TSTE285 TSTE355	DIN17179 TSTE285 TSTE355	GB3531 16MnDR (-40°C)	GB150 09MnD	PL380	SLA325A	STPL380
-101°C 3.5Ni钢	A420WPL3	A203GrD	A333Gr3	10Ni14 (1.5637)	DIN17280 10Ni14	DIN17173 10Ni14	---	---	PL450	SL3N255	STPL450
18-8不锈钢 Stainless steel 18-8L超低碳	A403WP304 A403WP304L	A240-304 A240-304L	A312TP304 A312TP304L	X5CrNi1810 (1.4301) X2CrNi1911 (1.4306)	DIN17440 1.4301 1.4306	DIN17458 (无缝Seamless) DIN17457 (焊管Weld) 1.4301 1.4306	GB4237 304 304L	GB14976 (无缝Seamless) HG20537 (焊管Weld) 304 304L	SUS304 SUS304L	JISG4304 SUS304 SUS304L	JISG3459 SUS304TP SUS304LTP
18-12Mo不锈钢 Stainless steel 18-12MoL超低碳	A403WP316 A430WP316L	A240-316 A240-316L	A312TP316 A312TP316L	X5CrNiMo 17122(1.4401) X2CrNiMo 17132(1.4404) X6CrNiMoTi 1.4571	DIN17440 1.4401 1.4404 1.4571	DIN17458 (无缝Seamless) DIN17457 (焊管Weld) 1.4401 1.4404 1.4571	GB4237 316 316L 316Ti	GB14976 (无缝Seamless) HG20537 (焊管Weld) 316 316L 316Ti	SUS316 SUS316L	SUS316 SUS316L	SUS316TP SUS316LTP
双相钢 Duplex Stainless steel	A815 S31803 (2205)	A240 S31803 (2205)	A790 S31803 (2205)	---	VdTuv418 X2CrNiMoN 225(1.4462)	---	---	---	SUS329 J1	SUS329 J1	SUS329 J1TP
904L	(B366) (N08904)	B625 N08904	B677(S) B673(W) N08904	---	VdTuv421 X2NiCrMoCu 25.205(1.4539)	---	---	---	SUS317 J5L	---	---
Monel 400	B366 N04400	B127 N04400	B165 N04400	同右	DIN17750 NiCu30Fe (2.4360)	DIN17751 NiCu30Fe (2.4360)	JB4741 NCu30	JB4742 NCu30	---	JISH4551 NCuP	JISH4552 NCuT
Incolloy800HT 800	B366 N08811 N08800	B409 N08811 N08800	B407 N08811 N08800	同右	EN10028-7 1.4959 1.4876	DIN17459 1.4959 1.4876	---	---	---	---	---
Inconel1825	B366 N08825	B424 N08825	B423 N08825	同右	DIN17750 2.4858	DIN17751 2.4858	---	---	---	---	---
C-276	B366 N10276	B575 N10276	B622 N10276	同右	DIN17750 2.4819	DIN17751 2.4819	---	---	---	---	---

服务领域 SERVICE AREAS



肖特管件

石油化工、石油天然气、海上油田、陆上油田、电力、纺织化纤、造船、食品、医药、造纸、化肥、建筑、城市煤气、环保、污水处理等

Petrochemical Industry, Gas Oil, Oil Field In Ocean, Oil Field Inland, Electricity, Textile & Chemical Fiber, Food & Medicine, Paper And Fertilizer, Building, City Natural Gas, Enviromental Protection, Waste Water Freatment.



未来展望 FUTURE OUTLOOK

站在更高的起点上，发展是公司的第一要务。我们无法精确的预测未来，但可以脚踏实地，一步一个脚印的为公司未来而奋斗。我们将接受挑战，实现公司的宏伟目标。全体员工将在：“进步，就是永不停步！”核心价值观的指引下，努力为广大客户提供更有价值的服务，伴着卓越梦想，迈出新征程。

Standing on a higher starting point, the company takes development as its primary task. We cannot precisely predict the future, but we can take a down-to-earth approach and strive hard for a better future of our company. We will face the challenge and realize our grand goal. Motivated by the core value of "progress means ever going forward", all staff will provide the customers with better service. With our dream, we set out for a new voyage.

